



VARIO

VARIO
PROFILE

苏州工业园区扬富路16号

No.16 Yangfu Road, Suzhou Industrial Park, Suzhou, China 215021

电话 : +86 512 6767 1108

网址 : www.variosystem.com.cn

Copyright © 2022 vario. All rights reserved.

Vario-profile-202212-CN





关于我们 About Us

一站式智能制造解决方案服务商 One-stop Smart Manufacturing Solution Provider

源于德国 布局全球

儒拉玛特来自德国，拥有近60年的制造经验，在德国、中国、印度、墨西哥、捷克、立陶宛及马来西亚等国家设有工厂及服务网点，业务覆盖欧洲、亚太、美洲等地区。

拓智能制造 深耕多行业

儒拉玛特自动化技术（苏州）有限公司是儒拉玛特于1998年设立在苏州的亚太总部，是一家全球化的一站式智能制造解决方案提供商，中国区现有员工800余人，其中工程师300余人。业务范围覆盖传统汽车零部件、新能源汽车零部件、医疗、3C电子、家用电器、半导体、电梯以及其他工业品等行业。

管理创新与变革管理 助推“五化一力”战略

为贴合市场发展需求，持续激发组织活力和效率，儒拉玛特（苏州）积极推动并实施组织与业务变革，以“全球化、多元化、产品化、数字化、平台化、创新力”五化一力战略为指引，设定“事业部”制组织架构，建立标准化管理团队，积极探索智能化和数字化领域的创新产品和解决方案，助力行业发展和转型升级。

Originated in Germany, Continued Global Footprints

ruhlamat is a German company with almost 60 years of manufacturing experience. It has locations in Germany, China, India, Mexico, Czechia, Lithuania and Malaysia.

Specialized in Smart Manufacturing, Dedicated to Multiple Industries

ruhlamat Automation Technologies (Suzhou) Co., Ltd. was founded in 1998 as the regional headquarters of the ruhlamat Group in the Asia-Pacific area (Abbreviation: ruhlamat Asia). Positioned as a global One-stop Smart Manufacturing Solution provider, with approximately 800 employees (more than 300 engineers) in China, ruhlamat Asia has a business covering combustion engine vehicle Auto parts, NEV auto parts, healthcare, 3C, household appliances, semiconductor, elevator and other industrial products.

Management Innovation & Change Management Boost “GDPDPI” Strategy

To satisfy market demands, and follow the industry trend, ruhlamat Asia promotes and implements the organizational and business changes guided by the “GDPDPI” strategy (Globalization, Diversification, Productization, Digitalization, Platformization, Innovation), and has formulated the “Business Unit” O-chart, established the Standardization Management Team. With a positive attitude and a desire to seek innovative products and technical solutions in the intelligent and digital fields, ruhlamat Asia is committed to supporting the industry development, transformation and upgrades.

业务模块 Business Module

提供端到端全流程智能制造解决方案

Provide end-to-end intelligent manufacturing solutions



自动化解决方案 Automation

- 装配
Assembling
- 焊接
Welding
- 测试
Testing
-



数字化解决方案 Digitalization

- 设备智能化
Smart Machine
- 产线智能化
Smart Line
- 工厂管理智能化
Smart Plant
- 工业数据智能
Data Intelligence



AI 机器视觉缺陷检测系统 AI Machine Vision System

- 自助式模型训练
Self-serve Model training
- 高速边缘AI处理器
High-speed Edge computer
- 基于神经网络技术，实现缺陷检测和目标识别及测量
Defect and object detection and measurement



标准产品 Standard Products

- 伺服压机
Servo Press
- 输送系统
Conveyor
- 工业铝型材
Profile



60+
YEARS

制造经验丰富
Rich Manufacturing Experience



1200+
全球员工
Global Employees



1500+ 条
生产线(累计)
Production Lines



630+
专业技术团队
Professional Technical Team



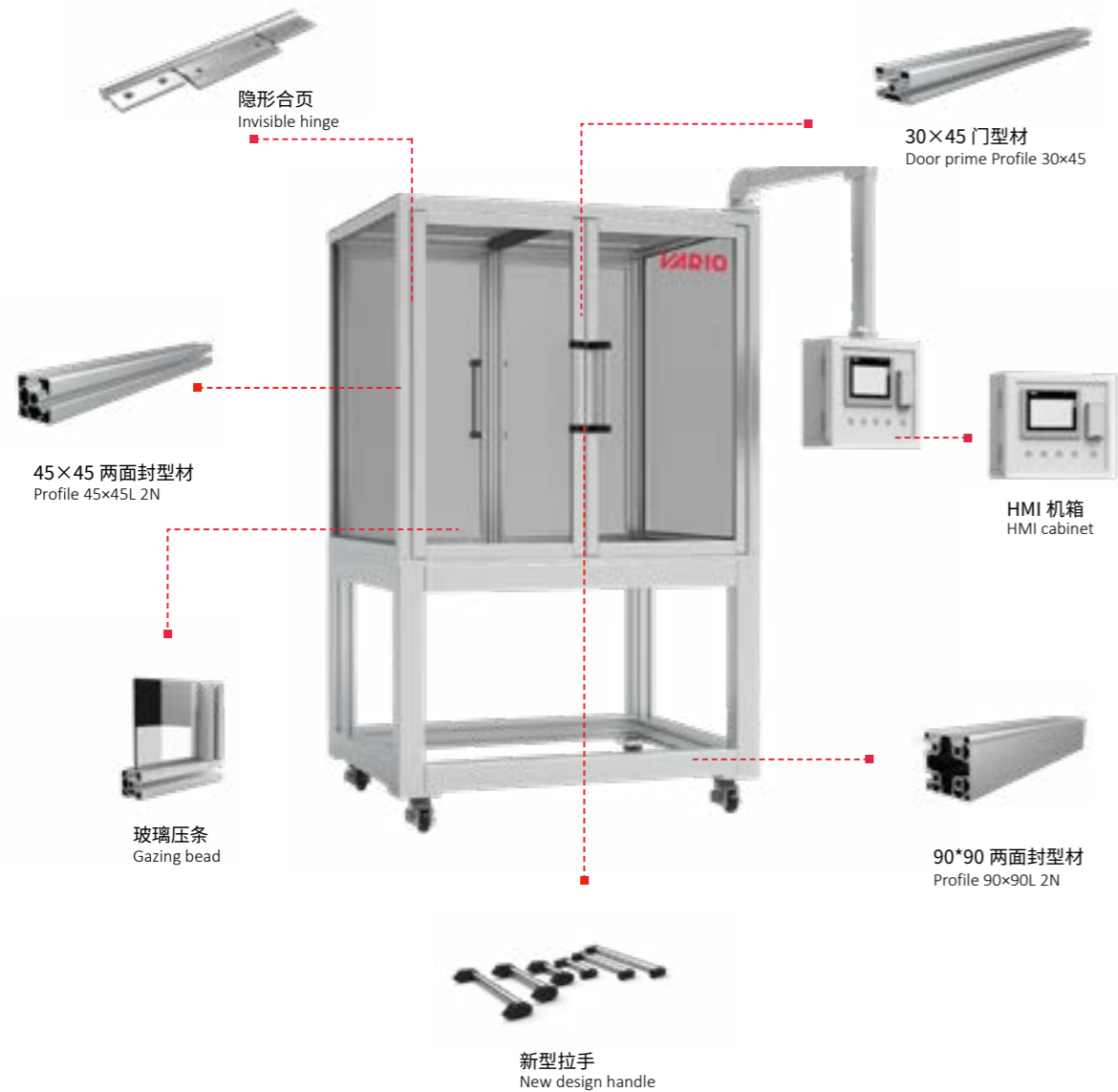
全球 20+
国家业务分布
Business



VDA6.4 & ISO9001
质量认证
Quality Certification

型材 Profile

20 系列	20 Series	9
30 系列	30 Series	11
40 系列	40 Series	14
45 系列	45 Series	19
60 系列	60 Series	26
线槽	Cable Channel	28
角铝	Angle Profile	31
铝板	Plate	31
气管型材	Pneumatic Profile	32
保护栏型材	Protective Grille Profile	33



配件 Accessories

型材槽盖板	Cover Profile	36
型材端盖	Caps For Profile	37
线槽端盖	Caps For Cable Channel	41
T 型螺母	Hammer Head Nut	42
螺母块	Sliding Block	44
定位弹片	Sliding Block Clip	46
弹簧螺母块	Spring Block	47
T 型螺栓	Hammer head screw	50
法兰螺母	Flange Nut	51
专用螺栓	Core Screw	52
蝴蝶扣	Core Chip	53
悬挂角连接	Suspension Bracket	54
型材角连接	Angle Profile Connector	54
波纹管零件组件	Groover Screw Connection Set	55
外角连接	Bracket	57
端部板连接	End Plate Connector	62
角连接	Corner Bracket	63
斜面角连接	Miter Bracket	64
平板连接	Flat Plate	65
槽连接	Sliding Profile Connector	66
重型端部连接	Big End Connector	67
重型板连接件	Plate Connector	68
板连接件	Free Angle Plate Connector	69
内角连接	Sliding Inner Bracket	70
铰链	Joint	71
合页	Hinge	72
万角合页	Universal Hinge	75
球钩合页	Ball Catch Hinge	76
隐形合页整体	Overall Hinge	77
扣件	Straddling Nut	78
滑勾	Sliding Hook	78
移门型材	Sliding Door Profile Profile	79
嵌条	Insert Profile	81
板夹块	Clamp Block	82
新款有机玻璃安装方式	New Insert Profile	84
手柄	Handles	85
可调手柄	Adjustable Handles	86
拉手	Handle	87
地脚件	Foot Plate	91
地板连接件	Floor Bracket	92
地脚	Feet	93
脚轮	Wheel	94
C 型导轨	C Guide	96
无影灯	Lamp	97
信息板	Information Board	98

万用系统：兼容性系统

万用系统是一个成熟的型材系统,产品应用广泛。选择这个独特的系统,将使您的自动化系统得到拓宽并增强,并能降低成本
万用系统组件可以构建机器框架或应用在其它工业部件,使您的设计简单方便。
专业的万用系统让你减少设计工作,缩短装配时间,降低成本,提高效率。

独特的兼容性

万用系统带给客户的独特优势使她在市场上脱颖而出,它能与欧洲标准系统兼容各种高质量型材及连接件都可以和许多其他品牌的产品相连接,为您和您的公司提供了便利。
您不需再购买全新的、昂贵的型材系列有了万用系统,您的公司现在既可以更好地提高现有产品的效率,又可以开发您所需的新产品。

简化设计

简化设计可以缩短装配时间,您就可以在主打产品上投入更多的人力和物力。

产品多样性

万用系统有各种连接件和铝型材,很多紧固件、合叶和安装硬件可供选择。有了如此庞大的选择,您不仅可以更容易的装配现有的设备框架并且可以拓宽公司的自动化系统领域,使其更加多样化。

高质量

型材由铝制成,表面阳极氧化,耐腐蚀型材材料选用 A16063. 硬度为 75HB, 保证型材强度。长 6m 的型材在长度方向的允许公差为 1.5mm(长 19.68 英尺的允许公差 0.059 英寸)。
最终的产品不仅外形美观而且质量上乘。
不需要减少长度就可以作出轻型的框架。

Vario System: The Compatible System

The Vario System is a sophisticated profile system that offers a wide range of connection elements that can be used for thousands of applications. This unique system enables companies to enhance and expand their automated systems easily and cost effectively.

The combination of components offered by the Vario System provides companies with alternatives to building machine frames or other industrial applications. The construction of complex designs becomes simple with the Vario System's easy attachments.

Specially designed for mechanical engineering, the Vario System can help reduce design work and lower production costs by shortening assembly times, resulting in increased productivity for your company.

Unique compatibility

The Vario System stands out in the marketplace because of the unique advantage it offers to its customers. The system has been designed to be compatible with other brand name European standard systems. The various top quality profiles and accessories can be combined with many other systems, providing flexibility for you and your business.

No longer is it necessary to purchase an entirely new and costly system. With the Vario System, companies now have the option to expand or enhance their existing systems by adding newer components as needed.

Pre-engineered solutions

The reduction of the design work allows for shorter assembly times which enables the company to allocate more resources on production.

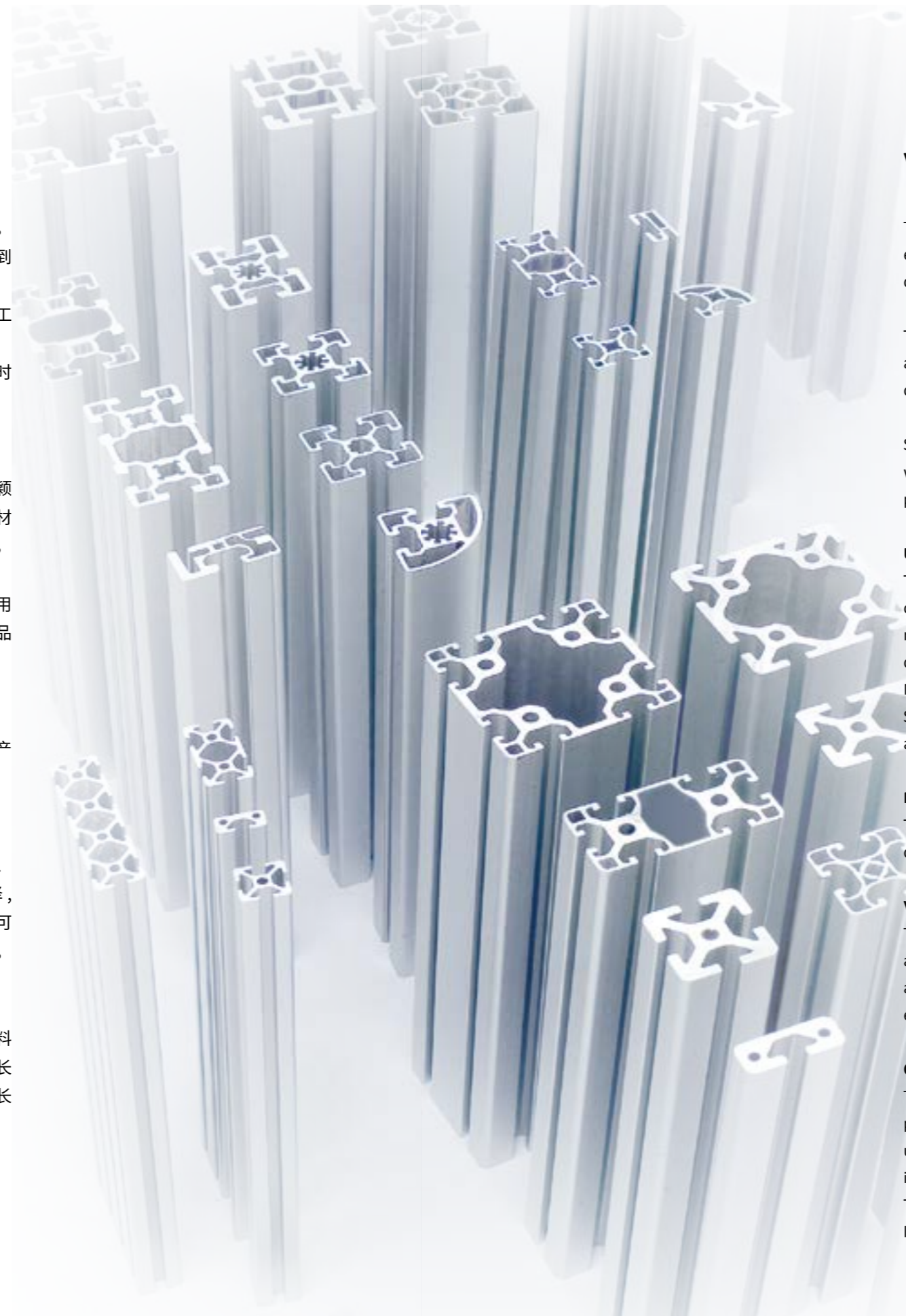
Variety

The Vario System offers a wide range of connection elements and an extensive range of aluminum profiles, a large selection of fasteners, hinges and mounting hardware. With access to such a large selection, companies are able to incorporate components into their existing machine frame easily, allowing for a wider variety for their automated systems.

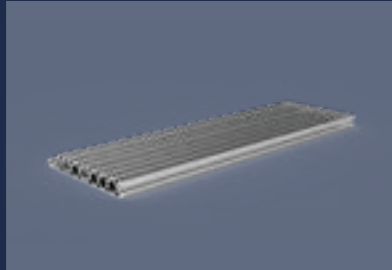
Quality

The profiles are made of aluminum that are manufactured with an anodizing coating which provides an anti-corrosive finish. The aluminum material 6061 has a rigidity of 95 HB and is used for most profiles to ensure strength. Tolerances of 1.5 mm are allowed on a 6 m (0.059 inches on a 19.68 feet long) profile.

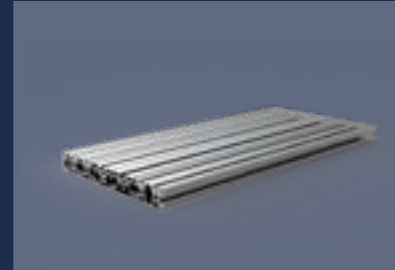
The end result is not only esthetically pleasing but top quality. The frames are also lightweight without compromising strength.



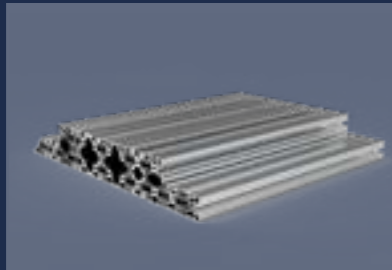
20 系列 20 series



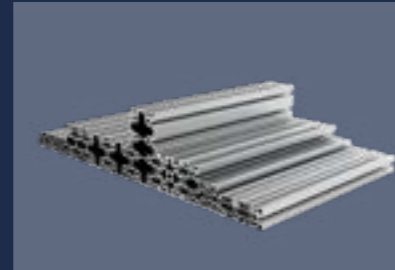
30 系列 30 series



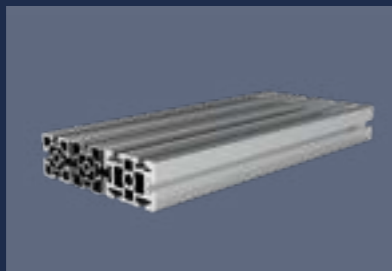
40 系列 40 series



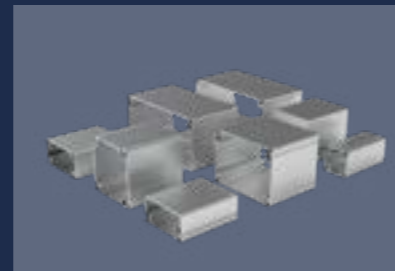
45 系列 45 series



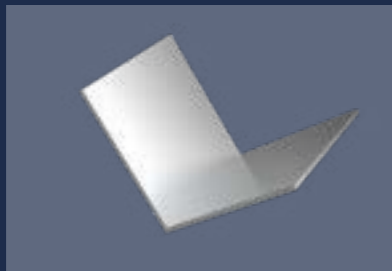
60 系列 60 series



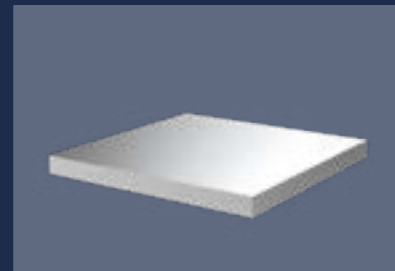
线槽 Cable channel



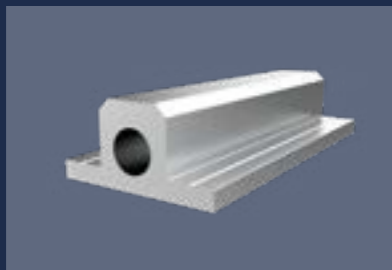
角铝 Angle profile



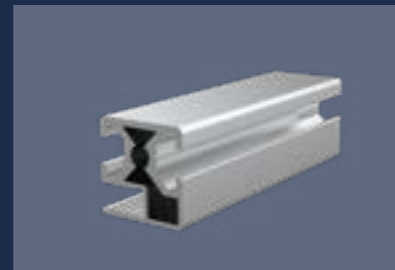
铝板 Plate



气管型材 Pneumatic profile



保护栏型材 Protective Grille Profile

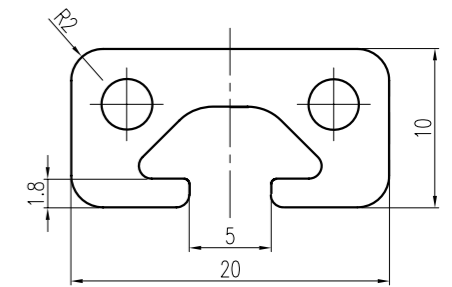


铝型材 20x10 Profile 20x10

订货编号: 0010.05.20.10 / Part Number: 0010.05.20.10

产品参数 Product characteristics

型材槽口 Groove	=	G 5
材料 Material	=	AL6063, 阳极氧化处理 AL6063, anodized
截面面积 Cross-sectional area	A =	1.29 cm ²
截面惯性矩 I _x Moment of Inertia, x-axis	I _x =	0.53 cm ⁴
截面惯性矩 I _y Moment of Inertia, y-axis	I _y =	0.12 cm ⁴
截面系数 W _x Resistance Moment, x-axis	W _x =	0.22 cm ³
截面系数 W _y Resistance Moment, y-axis	W _y =	0.53 cm ³
米重 Weight	m =	0.36 kg/m
最大长度 Maximum length	L =	6000 mm

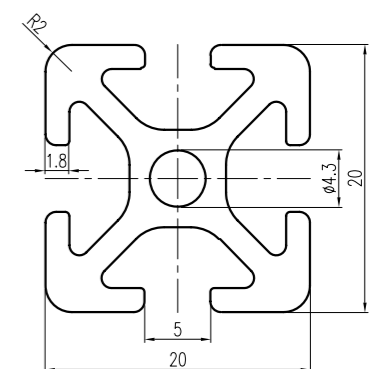


铝型材 20x20 Profile 20x20

订货编号: 0010.05.20.20 / Part Number: 0010.05.20.20

产品参数 Product characteristics

型材槽口 Groove	=	G 5
材料 Material	=	AL6063, 阳极氧化处理 AL6063, anodized
截面面积 Cross-sectional area	A =	1.80 cm ²
截面惯性矩 I _x Moment of Inertia, x-axis	I _x =	0.72 cm ⁴
截面惯性矩 I _y Moment of Inertia, y-axis	I _y =	0.72 cm ⁴
截面系数 W _x Resistance Moment, x-axis	W _x =	0.72 cm ³
截面系数 W _y Resistance Moment, y-axis	W _y =	0.72 cm ³
米重 Weight	m =	0.52 kg/m
最大长度 Maximum length	L =	6000 mm

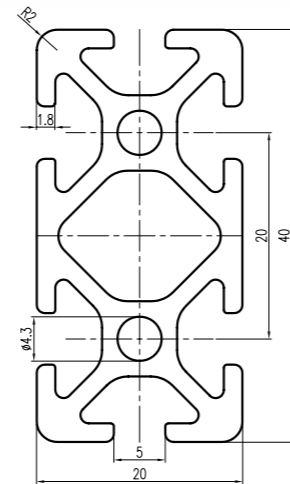


铝型材 20x40 Profile 20x40

订货编号: 0010.05.20.40 / Part Number: 0010.05.20.40

产品参数 Product characteristics

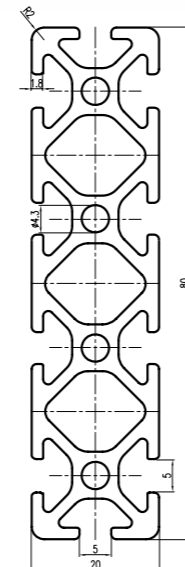
型材槽口 Groove	=	G 5
材料 Material	=	AL6063, 阳极氧化处理 AL6063, anodized
截面面积 Cross-sectional area	A	= 3.32 cm ²
截面惯性矩 I _x Moment of Inertia, x-axis	I _x	= 5.14 cm ⁴
截面惯性矩 I _y Moment of Inertia, y-axis	I _y	= 1.41 cm ⁴
截面系数 W _x Resistance Moment, x-axis	W _x	= 2.57 cm ³
截面系数 W _y Resistance Moment, y-axis	W _y	= 1.41 cm ³
米重 Weight	m	= 0.93 kg/m
最大长度 Maximum length	L	= 6000 mm

**铝型材 20x80 Profile 20x80**

订货编号: 0010.05.20.80 / Part Number: 0010.05.20.80

产品参数 Product characteristics

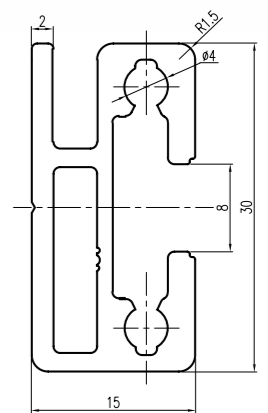
型材槽口 Groove	=	G 5
材料 Material	=	AL6063, 阳极氧化处理 AL6063, anodized
截面面积 Cross-sectional area	A	= 6.19 cm ²
截面惯性矩 I _x Moment of Inertia, x-axis	I _x	= 36.08 cm ⁴
截面惯性矩 I _y Moment of Inertia, y-axis	I _y	= 2.72 cm ⁴
截面系数 W _x Resistance Moment, x-axis	W _x	= 2.72 cm ³
截面系数 W _y Resistance Moment, y-axis	W _y	= 9.02 cm ³
米重 Weight	m	= 1.75 kg/m
最大长度 Maximum length	L	= 6000 mm

**铝型材 30x15 Profile 30x15**

订货编号: 0010.08.30.15 / Part Number: 0010.08.30.15

产品参数 Product characteristics

型材槽口 Groove	=	G 8
材料 Material	=	AL6063, 阳极氧化处理 AL6063, anodized
截面面积 Cross-sectional area	A	= 2.06 cm ²
截面惯性矩 I _x Moment of Inertia, x-axis	I _x	= 2.51 cm ⁴
截面惯性矩 I _y Moment of Inertia, y-axis	I _y	= 2.04 cm ⁴
截面系数 W _x Resistance Moment, x-axis	W _x	= ---
截面系数 W _y Resistance Moment, y-axis	W _y	= ---
米重 Weight	m	= 0.56 kg/m
最大长度 Maximum length	L	= 6000 mm



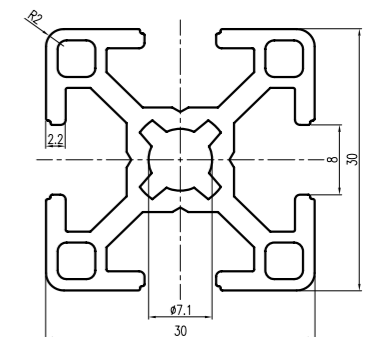
*30x15 型材专门悬挂物料盒或制造物料架设计。
Profile 30x15 is specially designed as a sorting box holder, or to build materialsheff / shuttles.

铝型材 30x30 Profile 30x30

订货编号: 0010.08.30.30 / Part Number: 0010.08.30.30

产品参数 Product characteristics

型材槽口 Groove	=	G 8
材料 Material	=	AL6063, 阳极氧化处理 AL6063, anodized
截面面积 Cross-sectional area	A	= 3.10 cm ²
截面惯性矩 I _x Moment of Inertia, x-axis	I _x	= 2.75 cm ⁴
截面惯性矩 I _y Moment of Inertia, y-axis	I _y	= 2.75 cm ⁴
截面系数 W _x Resistance Moment, x-axis	W _x	= 1.80 cm ³
截面系数 W _y Resistance Moment, y-axis	W _y	= 1.80 cm ³
米重 Weight	m	= 0.88 kg/m
最大长度 Maximum length	L	= 6000 mm

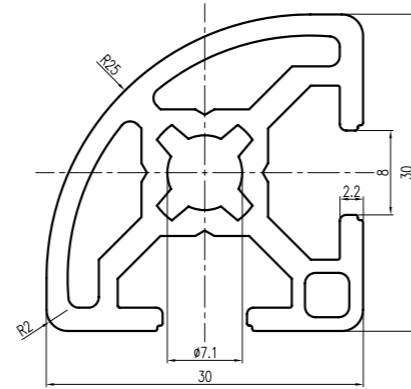


铝型材 30x30R Profile 30x30R

订货编号: 0010.08.30.32 / Part Number: 0010.08.30.32

产品参数 Product characteristics

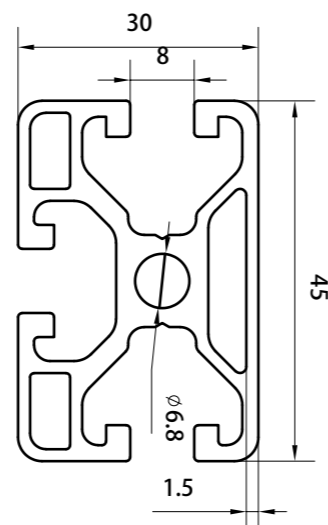
型材槽口 Groove	=	G 8
材料 Material	=	AL6063, 阳极氧化处理 AL6063, anodized
截面面积 Cross-sectional area	A	= 2.80 cm ²
截面惯性矩 I _x Moment of Inertia, x-axis	I _x	= 2.28 cm ⁴
截面惯性矩 I _y Moment of Inertia, y-axis	I _y	= 2.28 cm ⁴
截面系数 W _x Resistance Moment, x-axis	W _x	= 1.60 cm ³
截面系数 W _y Resistance Moment, y-axis	W _y	= 1.60 cm ³
米重 Weight	m	= 0.89 kg/m
最大长度 Maximum length	L	= 6000 mm

**铝型材 30x45 门型材 Profile 30x45**

订货编号: 0010.08.30.46 / Part Number: 0010.08.30.46

产品参数 Product characteristics

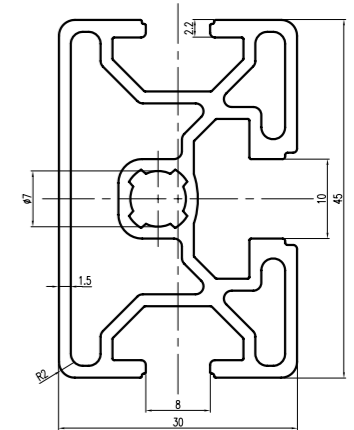
型材槽口 Groove	=	G 8
材料 Material	=	AL6063, 阳极氧化处理 AL6063, anodized
截面面积 Cross-sectional area	A	= 4.74 cm ²
截面惯性矩 I _x Moment of Inertia, x-axis	I _x	= 4.58 cm ⁴
截面惯性矩 I _y Moment of Inertia, y-axis	I _y	= 8.67 cm ⁴
截面系数 W _x Resistance Moment, x-axis	W _x	= 3.05 cm ³
截面系数 W _y Resistance Moment, y-axis	W _y	= 3.85 cm ³
米重 Weight	m	= 1.28 kg/m
最大长度 Maximum length	L	= 6000 mm

**铝型材 30x45 Profile 30x45**

订货编号: 0010.08.30.45 / Part Number: 0010.08.30.45

产品参数 Product characteristics

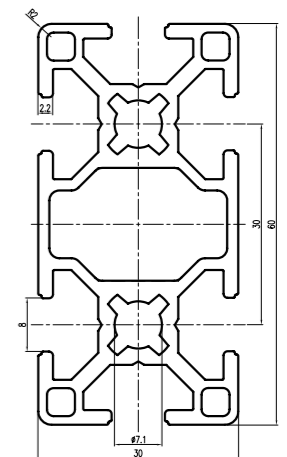
型材槽口 Groove	=	G 8
材料 Material	=	AL6063, 阳极氧化处理 AL6063, anodized
截面面积 Cross-sectional area	A	= 3.96 cm ²
截面惯性矩 I _x Moment of Inertia, x-axis	I _x	= 8.05 cm ⁴
截面惯性矩 I _y Moment of Inertia, y-axis	I _y	= 3.83 cm ⁴
截面系数 W _x Resistance Moment, x-axis	W _x	= 3.92 cm ³
截面系数 W _y Resistance Moment, y-axis	W _y	= 2.81 cm ³
米重 Weight	m	= 1.07 kg/m
最大长度 Maximum length	L	= 6000 mm

**铝型材 30x60 Profile 30x60**

订货编号: 0010.08.30.60 / Part Number: 0010.08.30.60

产品参数 Product characteristics

型材槽口 Groove	=	G 8
材料 Material	=	AL6063, 阳极氧化处理 AL6063, anodized
截面面积 Cross-sectional area	A	= 5.60 cm ²
截面惯性矩 I _x Moment of Inertia, x-axis	I _x	= 19.68 cm ⁴
截面惯性矩 I _y Moment of Inertia, y-axis	I _y	= 5.06 cm ⁴
截面系数 W _x Resistance Moment, x-axis	W _x	= 7.00 cm ³
截面系数 W _y Resistance Moment, y-axis	W _y	= 3.90 cm ³
米重 Weight	m	= 1.55 kg/m
最大长度 Maximum length	L	= 6000 mm

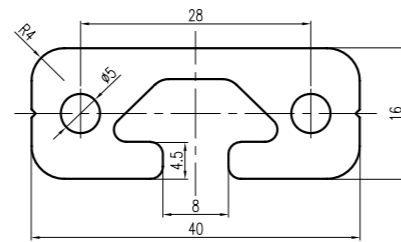


铝型材 40x16 Profile 40x16

订货编号: 0010.08.40.16 / Part Number: 0010.08.40.16

产品参数 Product characteristics

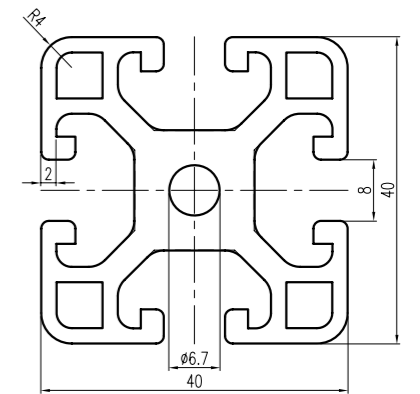
型材槽口 Groove	=	G 8
材料 Material	=	AL6063, 阳极氧化处理 AL6063, anodized
截面面积 Cross-sectional area	A	= 4.20 cm ²
截面惯性矩 I _x Moment of Inertia, x-axis	I _x	= 6.90 cm ⁴
截面惯性矩 I _y Moment of Inertia, y-axis	I _y	= 1.10 cm ⁴
截面系数 W _x Resistance Moment, x-axis	W _x	= 3.50 cm ³
截面系数 W _y Resistance Moment, y-axis	W _y	= 1.20 cm ³
米重 Weight	m	= 1.19 kg/m
最大长度 Maximum length	L	= 6000 mm

**铝型材 40x40 轻型 Profile 40x40L**

订货编号: 0010.08.40.41 / Part Number: 0010.08.40.41

产品参数 Product characteristics

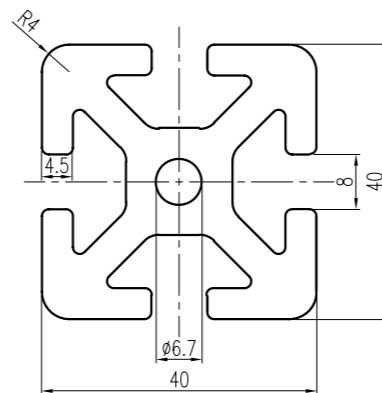
型材槽口 Groove	=	G 8
材料 Material	=	AL6063, 阳极氧化处理 AL6063, anodized
截面面积 Cross-sectional area	A	= 6.50 cm ²
截面惯性矩 I _x Moment of Inertia, x-axis	I _x	= 9.00 cm ⁴
截面惯性矩 I _y Moment of Inertia, y-axis	I _y	= 9.00 cm ⁴
截面系数 W _x Resistance Moment, x-axis	W _x	= 4.50 cm ³
截面系数 W _y Resistance Moment, y-axis	W _y	= 4.50 cm ³
米重 Weight	m	= 1.90 kg/m
最大长度 Maximum length	L	= 6000 mm

**铝型材 40x40 重型 Profile 40x40**

订货编号: 0010.08.40.40 / Part Number: 0010.08.40.40

产品参数 Product characteristics

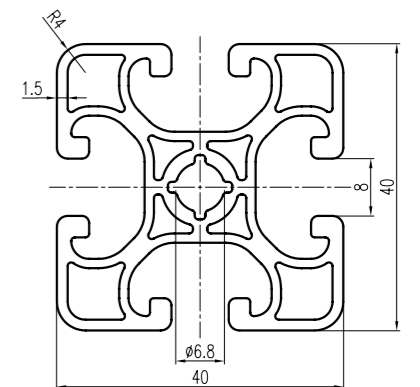
型材槽口 Groove	=	G 8
材料 Material	=	AL6063, 阳极氧化处理 AL6063, anodized
截面面积 Cross-sectional area	A	= 9.20 cm ²
截面惯性矩 I _x Moment of Inertia, x-axis	I _x	= 14.00 cm ⁴
截面惯性矩 I _y Moment of Inertia, y-axis	I _y	= 14.00 cm ⁴
截面系数 W _x Resistance Moment, x-axis	W _x	= 7.00 cm ³
截面系数 W _y Resistance Moment, y-axis	W _y	= 7.00 cm ³
米重 Weight	m	= 2.54 kg/m
最大长度 Maximum length	L	= 6000 mm

**铝型材 40x40 经济型 Profile 40x40E**

订货编号: 0010.08.40.42 / Part Number: 0010.08.40.42

产品参数 Product characteristics

型材槽口 Groove	=	G 8
材料 Material	=	AL6063, 阳极氧化处理 AL6063, anodized
截面面积 Cross-sectional area	A	= 5.18 cm ²
截面惯性矩 I _x Moment of Inertia, x-axis	I _x	= 7.40 cm ⁴
截面惯性矩 I _y Moment of Inertia, y-axis	I _y	= 7.40 cm ⁴
截面系数 W _x Resistance Moment, x-axis	W _x	= 3.70 cm ³
截面系数 W _y Resistance Moment, y-axis	W _y	= 3.70 cm ³
米重 Weight	m	= 1.45 kg/m
最大长度 Maximum length	L	= 6000 mm

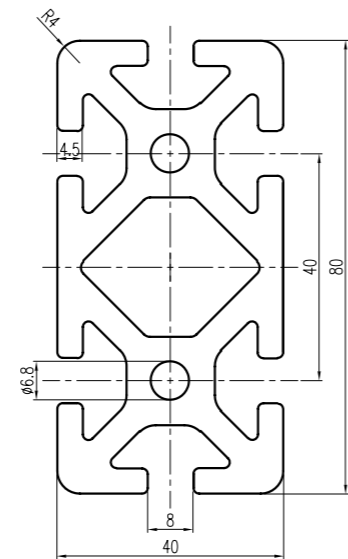


铝型材 40x80 重型 Profile 40x80

订货编号: 0010.08.40.80 / Part Number: 0010.08.40.80

产品参数 Product characteristics

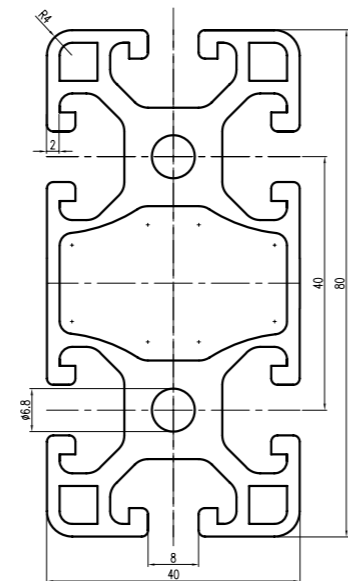
型材槽口 Groove	=	G 8
材料 Material	=	AL6063, 阳极氧化处理 AL6063, anodized
截面面积 Cross-sectional area	A	= 16.80 cm ²
截面惯性矩 I _x Moment of Inertia, x-axis	I _x	= 101.20 cm ⁴
截面惯性矩 I _y Moment of Inertia, y-axis	I _y	= 26.90 cm ⁴
截面系数 W _x Resistance Moment, x-axis	W _x	= 25.30 cm ³
截面系数 W _y Resistance Moment, y-axis	W _y	= 13.40 cm ³
米重 Weight	m	= 4.61 kg/m
最大长度 Maximum length	L	= 6000 mm

**铝型材 40x80 轻型 Profile 40x80L**

订货编号: 0010.08.40.81 / Part Number: 0010.08.40.81

产品参数 Product characteristics

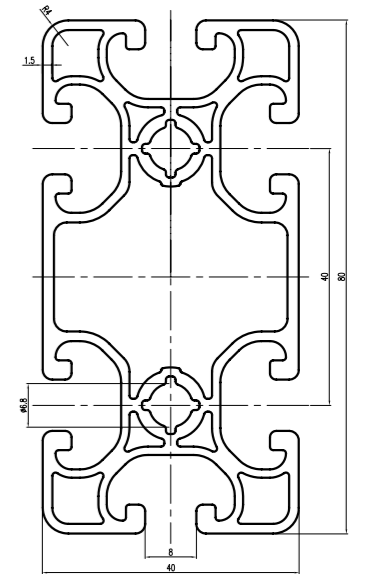
型材槽口 Groove	=	G 8
材料 Material	=	AL6063, 阳极氧化处理 AL6063, anodized
截面面积 Cross-sectional area	A	= 11.40 cm ²
截面惯性矩 I _x Moment of Inertia, x-axis	I _x	= 69.50 cm ⁴
截面惯性矩 I _y Moment of Inertia, y-axis	I _y	= 16.60 cm ⁴
截面系数 W _x Resistance Moment, x-axis	W _x	= 17.40 cm ³
截面系数 W _y Resistance Moment, y-axis	W _y	= 8.30 cm ³
米重 Weight	m	= 3.22 kg/m
最大长度 Maximum length	L	= 6000 mm

**铝型材 40x80 经济型 Profile 40x80E**

订货编号: 0010.08.40.82 / Part Number: 0010.08.40.82

产品参数 Product characteristics

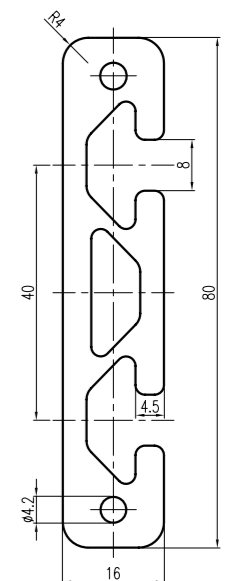
型材槽口 Groove	=	G 8
材料 Material	=	AL6063, 阳极氧化处理 AL6063, anodized
截面面积 Cross-sectional area	A	= 8.19 cm ²
截面惯性矩 I _x Moment of Inertia, x-axis	I _x	= 53.10 cm ⁴
截面惯性矩 I _y Moment of Inertia, y-axis	I _y	= 14.70 cm ⁴
截面系数 W _x Resistance Moment, x-axis	W _x	= 13.82 cm ³
截面系数 W _y Resistance Moment, y-axis	W _y	= 7.53 cm ³
米重 Weight	m	= 2.29 kg/m
最大长度 Maximum length	L	= 6000 mm

**铝型材 80x16 Profile 80x16**

订货编号: 0010.08.80.16 / Part Number: 0010.08.80.16

产品参数 Product characteristics

型材槽口 Groove	=	G 8
材料 Material	=	AL6063, 阳极氧化处理 AL6063, anodized
截面面积 Cross-sectional area	A	= 8.13 cm ²
截面惯性矩 I _x Moment of Inertia, x-axis	I _x	= 2.15 cm ⁴
截面惯性矩 I _y Moment of Inertia, y-axis	I _y	= 50.76 cm ⁴
截面系数 W _x Resistance Moment, x-axis	W _x	= 2.69 cm ³
截面系数 W _y Resistance Moment, y-axis	W _y	= 12.69 cm ³
米重 Weight	m	= 2.24 kg/m
最大长度 Maximum length	L	= 6000 mm

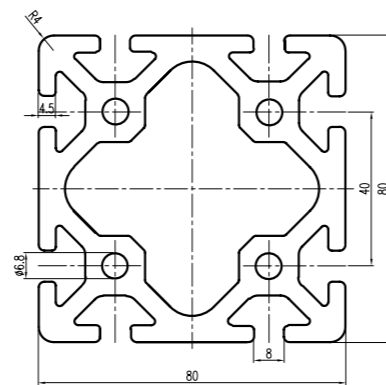


铝型材 80x80 重型 Profile 80x80

订货编号: 0010.08.80.80 / Part Number: 0010.08.80.80

产品参数 Product characteristics

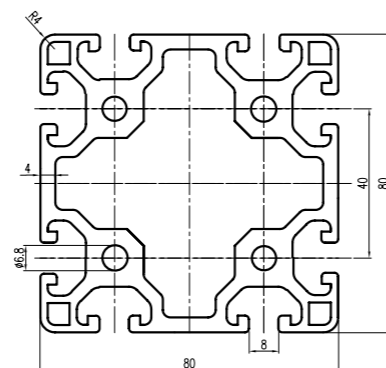
型材槽口 Groove	=	G 8
材料 Material	=	AL6063, 阳极氧化处理 AL6063, anodized
截面面积 Cross-sectional area	A =	26.66 cm ²
截面惯性矩 Ix Moment of Inertia, x-axis	Ix =	187.70 cm ⁴
截面惯性矩 Iy Moment of Inertia, y-axis	Iy =	187.70 cm ⁴
截面系数 Wx Resistance Moment, x-axis	Wx =	46.92 cm ³
截面系数 Wy Resistance Moment, y-axis	Wy =	46.92 cm ³
米重 Weight	m =	7.26 kg/m
最大长度 Maximum length	L =	6000 mm

**铝型材 80x80 轻型 Profile 80x80L**

订货编号: 0010.08.80.81 / Part Number: 0010.08.80.81

产品参数 Product characteristics

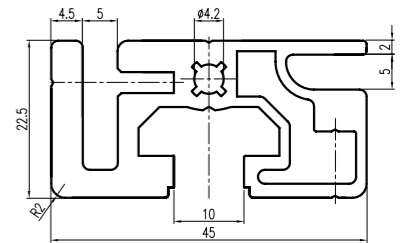
型材槽口 Groove	=	G 8
材料 Material	=	AL6063, 阳极氧化处理 AL6063, anodized
截面面积 Cross-sectional area	A =	19.75 cm ²
截面惯性矩 Ix Moment of Inertia, x-axis	Ix =	134.06 cm ⁴
截面惯性矩 Iy Moment of Inertia, y-axis	Iy =	134.06 cm ⁴
截面系数 Wx Resistance Moment, x-axis	Wx =	33.51 cm ³
截面系数 Wy Resistance Moment, y-axis	Wy =	33.51 cm ³
米重 Weight	m =	5.54 kg/m
最大长度 Maximum length	L =	6000 mm

**铝型材 45x22.5 Profile 45x22.5**

订货编号: 0010.10.45.23 / Part Number: 0010.10.45.23

产品参数 Product characteristics

型材槽口 Groove	=	G 10
材料 Material	=	AL6063, 阳极氧化处理 AL6063, anodized
截面面积 Cross-sectional area	A =	4.73 cm ²
截面惯性矩 Ix Moment of Inertia, x-axis	Ix =	5.20 cm ⁴
截面惯性矩 Iy Moment of Inertia, y-axis	Iy =	3.40 cm ⁴
截面系数 Wx Resistance Moment, x-axis	Wx =	---
截面系数 Wy Resistance Moment, y-axis	Wy =	---
米重 Weight	m =	1.28 kg/m
最大长度 Maximum length	L =	6000 mm



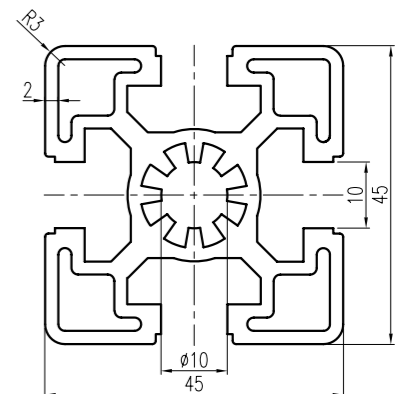
*45x22.5 型材专门悬挂物料盒或制造物料架设计
Profile 10-45x22.5 is specially designed as a sorting box holder, or to build material shelf / shuttles.

铝型材 45x45 重型 Profile 45x45

订货编号: 0010.10.45.45 / Part Number: 0010.10.45.45

产品参数 Product characteristics

型材槽口 Groove	=	G 10
材料 Material	=	AL6063, 阳极氧化处理 AL6063, anodized
截面面积 Cross-sectional area	A =	7.50 cm ²
截面惯性矩 Ix Moment of Inertia, x-axis	Ix =	14.00 cm ⁴
截面惯性矩 Iy Moment of Inertia, y-axis	Iy =	14.00 cm ⁴
截面系数 Wx Resistance Moment, x-axis	Wx =	6.10 cm ³
截面系数 Wy Resistance Moment, y-axis	Wy =	6.10 cm ³
米重 Weight	m =	2.15 kg/m
最大长度 Maximum length	L =	6000 mm

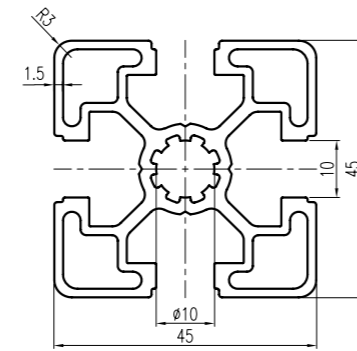


铝型材 45x45 轻型 Profile 45x45L

订货编号: 0010.10.45.46 / Part Number: 0010.10.45.46

产品参数 Product characteristics

型材槽口 Groove	=	G 10
材料 Material	=	AL6063, 阳极氧化处理 AL6063, anodized
截面面积 Cross-sectional area	A	= 5.70 cm ²
截面惯性矩 I _x Moment of Inertia, x-axis	I _x	= 11.10 cm ⁴
截面惯性矩 I _y Moment of Inertia, y-axis	I _y	= 11.10 cm ⁴
截面系数 W _x Resistance Moment, x-axis	W _x	= 4.80 cm ³
截面系数 W _y Resistance Moment, y-axis	W _y	= 4.80 cm ³
米重 Weight	m	= 1.62 kg/m
最大长度 Maximum length	L	= 6000 mm

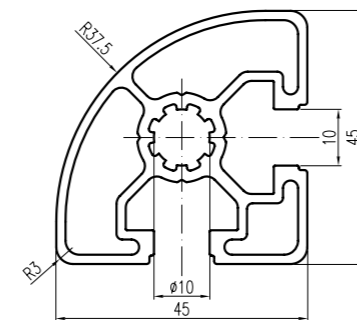


铝型材 45x45LR Profile 45x45LR

订货编号: 0010.10.45.48 / Part Number: 0010.10.45.48

产品参数 Product characteristics

型材槽口 Groove	=	G 10
材料 Material	=	AL6063, 阳极氧化处理 AL6063, anodized
截面面积 Cross-sectional area	A	= 4.90 cm ²
截面惯性矩 I _x Moment of Inertia, x-axis	I _x	= 8.50 cm ⁴
截面惯性矩 I _y Moment of Inertia, y-axis	I _y	= 8.50 cm ⁴
截面系数 W _x Resistance Moment, x-axis	W _x	= 3.40 cm ³
截面系数 W _y Resistance Moment, y-axis	W _y	= 3.40 cm ³
米重 Weight	m	= 1.34 kg/m
最大长度 Maximum length	L	= 6000 mm

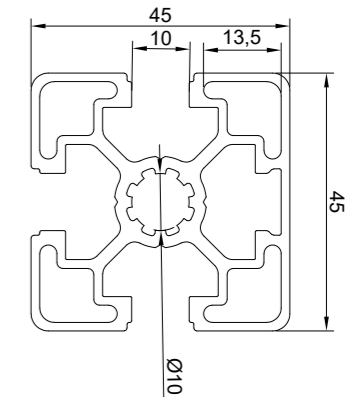


铝型材 45x45 一面封 Profile 45x45LN

订货编号: 0010.10.45.49 / Part Number: 0010.10.45.49

产品参数 Product characteristics

型材槽口 Groove	=	G 10
材料 Material	=	AL6063, 阳极氧化处理 AL6063, anodized
截面面积 Cross-sectional area	A	= 5.87 cm ²
截面惯性矩 I _x Moment of Inertia, x-axis	I _x	= 11.04 cm ⁴
截面惯性矩 I _y Moment of Inertia, y-axis	I _y	= 11.72 cm ⁴
截面系数 W _x Resistance Moment, x-axis	W _x	= 4.91 cm ³
截面系数 W _y Resistance Moment, y-axis	W _y	= 5.21 cm ³
米重 Weight	m	= 1.58 kg/m
最大长度 Maximum length	L	= 6000 mm

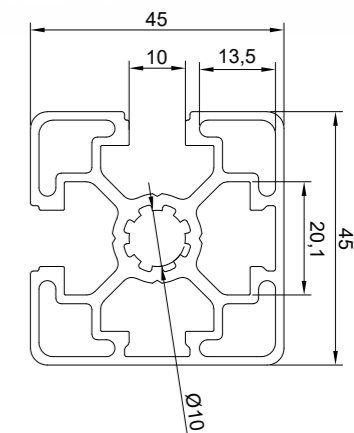


铝型材 45x45 两面封 Profile 45x45L2N

订货编号: 0010.10.45.50 / Part Number: 0010.10.45.50

产品参数 Product characteristics

型材槽口 Groove	=	G 10
材料 Material	=	AL6063, 阳极氧化处理 AL6063, anodized
截面面积 Cross-sectional area	A	= 6.01 cm ²
截面惯性矩 I _x Moment of Inertia, x-axis	I _x	= 11.71 cm ⁴
截面惯性矩 I _y Moment of Inertia, y-axis	I _y	= 11.74 cm ⁴
截面系数 W _x Resistance Moment, x-axis	W _x	= 5.20 cm ³
截面系数 W _y Resistance Moment, y-axis	W _y	= 5.22 cm ³
米重 Weight	m	= 1.62 kg/m
最大长度 Maximum length	L	= 6000 mm



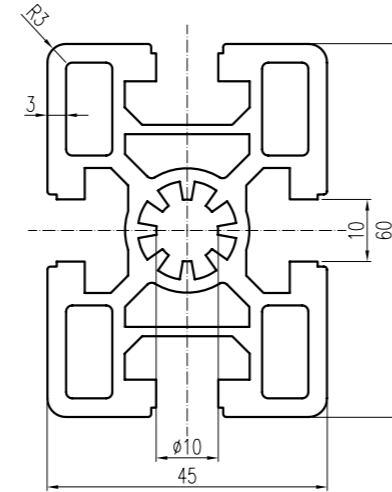
*2NL 仅用于立柱, 搭建的框架外观美观, 同时不影响安装便利性。
2NL is only used for column, the frame is beautiful in appearance, and does not affect the convenience of installation.

铝型材 45x60 Profile 45x60

订货编号: 0010.10.45.60 / Part Number: 0010.10.45.60

产品参数 Product characteristics

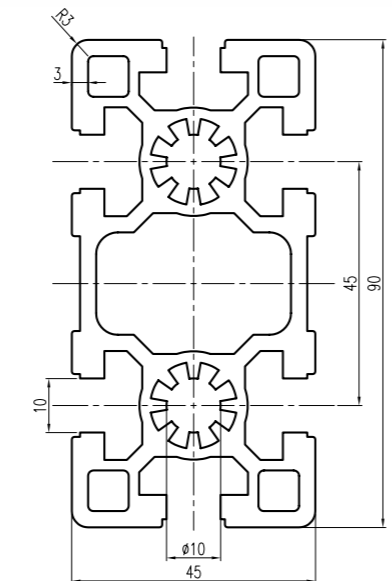
型材槽口 Groove	=	G 10
材料 Material	=	AL6063, 阳极氧化处理 AL6063, anodized
截面面积 Cross-sectional area	A	= 11.00 cm ²
截面惯性矩 I _x Moment of Inertia, x-axis	I _x	= 37.20 cm ⁴
截面惯性矩 I _y Moment of Inertia, y-axis	I _y	= 22.70 cm ⁴
截面系数 W _x Resistance Moment, x-axis	W _x	= 12.40 cm ³
截面系数 W _y Resistance Moment, y-axis	W _y	= 10.10 cm ³
米重 Weight	m	= 3.20 kg/m
最大长度 Maximum length	L	= 6000 mm

**铝型材 45x90 重型 Profile 45x90**

订货编号: 0010.10.45.90 / Part Number: 0010.10.45.90

产品参数 Product characteristics

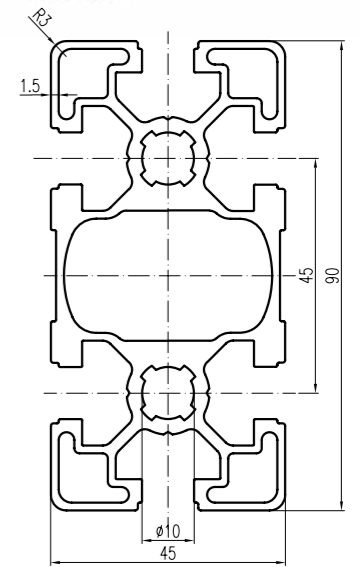
型材槽口 Groove	=	G 10
材料 Material	=	AL6063, 阳极氧化处理 AL6063, anodized
截面面积 Cross-sectional area	A	= 15.37 cm ²
截面惯性矩 I _x Moment of Inertia, x-axis	I _x	= 124.62 cm ⁴
截面惯性矩 I _y Moment of Inertia, y-axis	I _y	= 32.76 cm ⁴
截面系数 W _x Resistance Moment, x-axis	W _x	= 27.69 cm ³
截面系数 W _y Resistance Moment, y-axis	W _y	= 14.56 cm ³
米重 Weight	m	= 4.43 kg/m
最大长度 Maximum length	L	= 6000 mm

**铝型材 45x90 轻型 Profile 45x90L**

订货编号: 0010.10.45.91 / Part Number: 0010.10.45.91

产品参数 Product characteristics

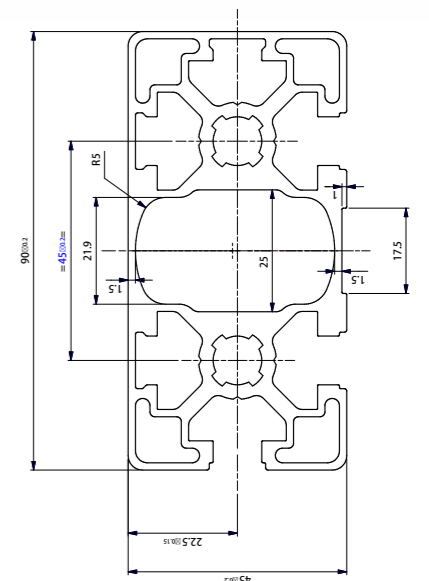
型材槽口 Groove	=	G 10
材料 Material	=	AL6063, 阳极氧化处理 AL6063, anodized
截面面积 Cross-sectional area	A	= 11.20 cm ²
截面惯性矩 I _x Moment of Inertia, x-axis	I _x	= 81.90 cm ⁴
截面惯性矩 I _y Moment of Inertia, y-axis	I _y	= 23.60 cm ⁴
截面系数 W _x Resistance Moment, x-axis	W _x	= 18.20 cm ³
截面系数 W _y Resistance Moment, y-axis	W _y	= 10.50 cm ³
米重 Weight	m	= 3.20 kg/m
最大长度 Maximum length	L	= 6000 mm

**铝型材 45x90 两面封 Profile 45x90L2N**

订货编号: 0010.10.45.92 / Part Number: 0010.10.45.92

产品参数 Product characteristics

型材槽口 Groove	=	G 10
材料 Material	=	AL6063, 阳极氧化处理 AL6063, anodized
截面面积 Cross-sectional area	A	= 12.37 cm ²
截面惯性矩 I _x Moment of Inertia, x-axis	I _x	= 25.37 cm ⁴
截面惯性矩 I _y Moment of Inertia, y-axis	I _y	= 91.67 cm ⁴
截面系数 W _x Resistance Moment, x-axis	W _x	= 11.28 cm ³
截面系数 W _y Resistance Moment, y-axis	W _y	= 20.37 cm ³
米重 Weight	m	= 2.499kg/m
最大长度 Maximum length	L	= 6000mm

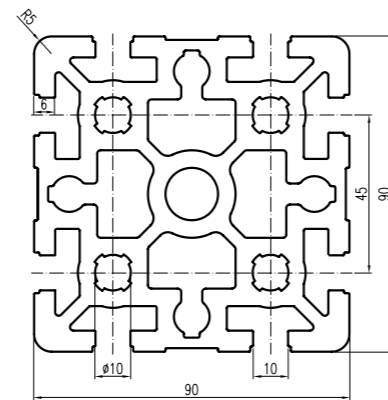


铝型材 90x90 重型 Profile 90x90

订货编号: 0010.10.90.90 / Part Number: 0010.10.90.90

产品参数 Product characteristics

型材槽口 Groove	=	G 10
材料 Material	=	AL6063, 阳极氧化处理 AL6063, anodized
截面面积 Cross-sectional area	A	= 38.71 cm ²
截面惯性矩 I _x Moment of Inertia, x-axis	I _x	= 301.00 cm ⁴
截面惯性矩 I _y Moment of Inertia, y-axis	I _y	= 301.00 cm ⁴
截面系数 W _x Resistance Moment, x-axis	W _x	= 66.62 cm ³
截面系数 W _y Resistance Moment, y-axis	W _y	= 66.62 cm ³
米重 Weight	m	= 10.56 kg/m
最大长度 Maximum length	L	= 5000 mm

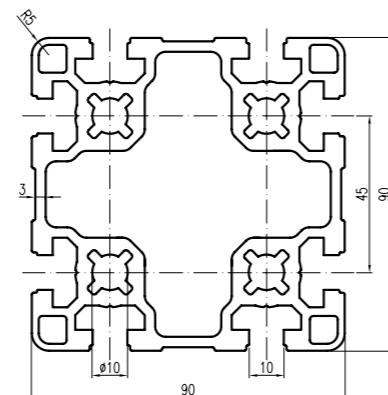


铝型材 90x90 轻型 Profile 90x90L

订货编号: 0010.10.90.91 / Part Number: 0010.10.90.91

产品参数 Product characteristics

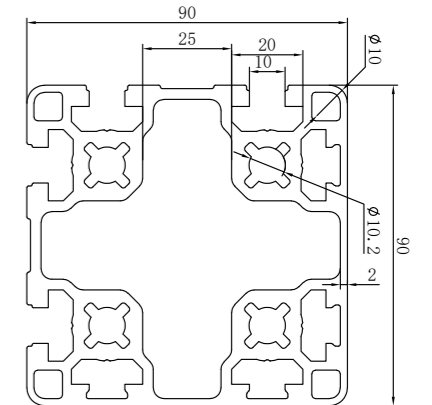
型材槽口 Groove	=	G 10
材料 Material	=	AL6063, 阳极氧化处理 AL6063, anodized
截面面积 Cross-sectional area	A	= 23.80 cm ²
截面惯性矩 I _x Moment of Inertia, x-axis	I _x	= 210.00 cm ⁴
截面惯性矩 I _y Moment of Inertia, y-axis	I _y	= 210.00 cm ⁴
截面系数 W _x Resistance Moment, x-axis	W _x	= 46.40 cm ³
截面系数 W _y Resistance Moment, y-axis	W _y	= 46.40 cm ³
米重 Weight	m	= 6.84 kg/m
最大长度 Maximum length	L	= 6000 mm

铝型材 90x90 两面封 Profile 90x90L2N NEW

订货编号: 0010.10.90.92 / Part Number: 0010.10.90.92

产品参数 Product characteristics

型材槽口 Groove	=	G 10
材料 Material	=	AL6063, 阳极氧化处理 AL6063, anodized
截面面积 Cross-sectional area	A	= 24.99 cm ²
截面惯性矩 I _x Moment of Inertia, x-axis	I _x	= 222.71 cm ⁴
截面惯性矩 I _y Moment of Inertia, y-axis	I _y	= 222.76 cm ⁴
截面系数 W _x Resistance Moment, x-axis	W _x	= 49.49 cm ³
截面系数 W _y Resistance Moment, y-axis	W _y	= 49.50 cm ³
米重 Weight	m	= 6.82 kg/m
最大长度 Maximum length	L	= 6000 mm



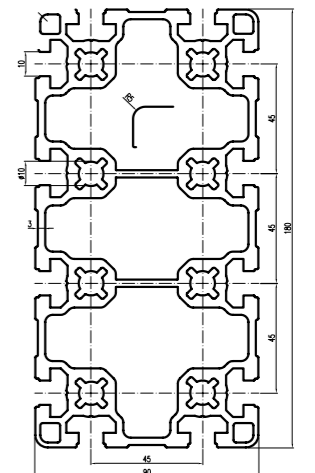
*3N/2NL 皆可以适配 G10 配件
3N/2NL can be fitted with G10 accessories

铝型材 180x90 轻型 Profile 180x90L

订货编号: 0010.10.18.91 / Part Number: 0010.10.18.91

产品参数 Product characteristics

型材槽口 Groove	=	G 10
材料 Material	=	AL6063, 阳极氧化处理 AL6063, anodized
截面面积 Cross-sectional area	A	= 42.90 cm ²
截面惯性矩 I _x Moment of Inertia, x-axis	I _x	= 1380.00 cm ⁴
截面惯性矩 I _y Moment of Inertia, y-axis	I _y	= 401.00 cm ⁴
截面系数 W _x Resistance Moment, x-axis	W _x	= 162.40 cm ³
截面系数 W _y Resistance Moment, y-axis	W _y	= 100.50 cm ³
米重 Weight	m	= 11.95 kg/m
最大长度 Maximum length	L	= 4000 mm

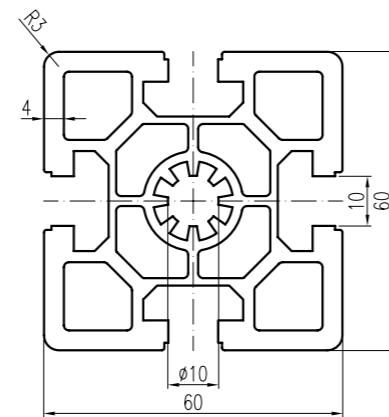


铝型材 60x60 重型 Profile 60x60

订货编号: 0010.10.60.60 / Part Number: 0010.10.60.60

产品参数 Product characteristics

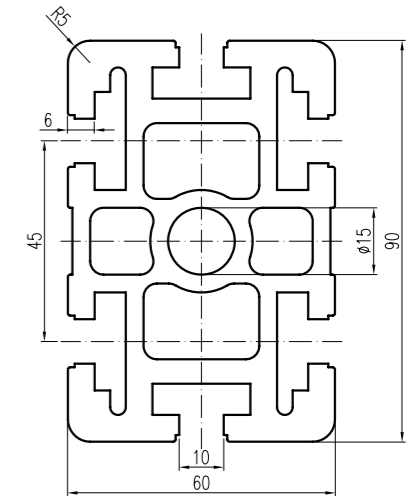
型材槽口 Groove	=	G 10
材料 Material	=	AL6063, 阳极氧化处理 AL6063, anodized
截面面积 Cross-sectional area	A	= 14.40 cm ²
截面惯性矩 I _x Moment of Inertia, x-axis	I _x	= 52.00 cm ⁴
截面惯性矩 I _y Moment of Inertia, y-axis	I _y	= 52.00 cm ⁴
截面系数 W _x Resistance Moment, x-axis	W _x	= 17.30 cm ³
截面系数 W _y Resistance Moment, y-axis	W _y	= 17.30 cm ³
米重 Weight	m	= 4.00 kg/m
最大长度 Maximum length	L	= 6000 mm

**铝型材 60x90 Profile 60x90**

订货编号: 0010.10.60.90 / Part Number: 0010.10.60.90

产品参数 Product characteristics

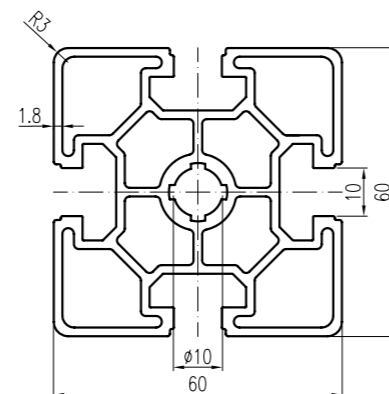
型材槽口 Groove	=	G 10
材料 Material	=	AL6063, 阳极氧化处理 AL6063, anodized
截面面积 Cross-sectional area	A	= 25.30 cm ²
截面惯性矩 I _x Moment of Inertia, x-axis	I _x	= 212.44 cm ⁴
截面惯性矩 I _y Moment of Inertia, y-axis	I _y	= 88.53 cm ⁴
截面系数 W _x Resistance Moment, x-axis	W _x	= 47.21 cm ³
截面系数 W _y Resistance Moment, y-axis	W _y	= 25.51 cm ³
米重 Weight	m	= 7.13 kg/m
最大长度 Maximum length	L	= 6000 mm

**铝型材 60x60 轻型 Profile 60x60L**

订货编号: 0010.10.60.61 / Part Number: 0010.10.60.61

产品参数 Product characteristics

型材槽口 Groove	=	G 10
材料 Material	=	AL6063, 阳极氧化处理 AL6063, anodized
截面面积 Cross-sectional area	A	= 9.60 cm ²
截面惯性矩 I _x Moment of Inertia, x-axis	I _x	= 32.40 cm ⁴
截面惯性矩 I _y Moment of Inertia, y-axis	I _y	= 32.40 cm ⁴
截面系数 W _x Resistance Moment, x-axis	W _x	= 10.80 cm ³
截面系数 W _y Resistance Moment, y-axis	W _y	= 10.80 cm ³
米重 Weight	m	= 2.70 kg/m
最大长度 Maximum length	L	= 6000 mm



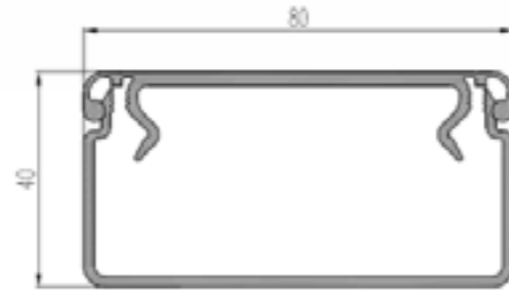
线槽 Cable Channel

特点：
线槽用来有条理地安置电线、管线，使其美观、安全。

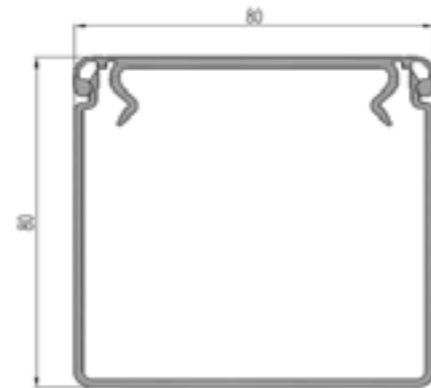
Description:
Cable channel cover wires to guarantee the safety.

40 U 型线槽 40 series-U-shape

订货编号 Part Number	0010.30.80.41.S
材料 Material	铝合金 Aluminum
规格 Specifications	80×40 U
最大长度 Maximum length	6000 mm



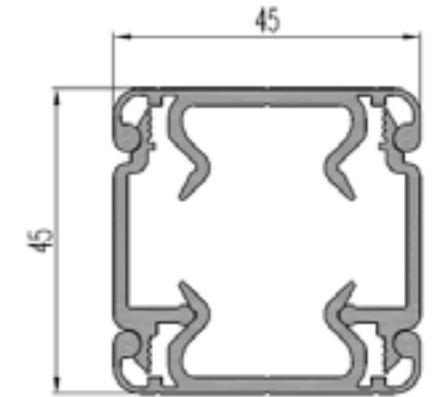
订货编号 Part Number	0010.30.80.81.S
材料 Material	铝合金 Aluminum
规格 Specifications	80×80 U
最大长度 Maximum length	6000 mm



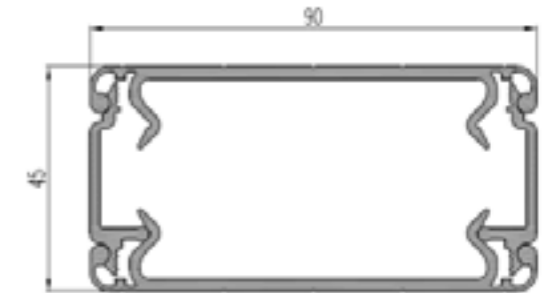
线槽 Cable Channel

45 线槽 / 普通型 45 series shape

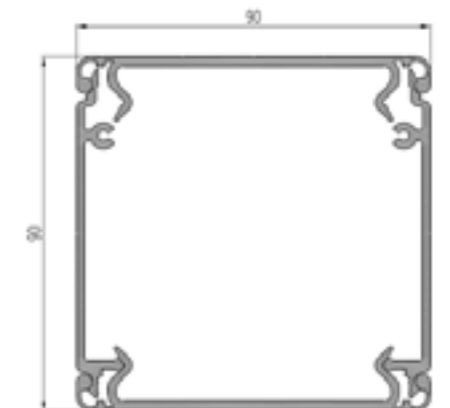
订货编号 Part Number	0010.30.45.45.S
材料 Material	铝合金 Aluminum
规格 Specifications	45×45
最大长度 Maximum length	6000 mm



订货编号 Part Number	0010.30.90.45.S
材料 Material	铝合金 Aluminum
规格 Specifications	90×45
最大长度 Maximum length	6000 mm



订货编号 Part Number	0010.30.90.90.S
材料 Material	铝合金 Aluminum
规格 Specifications	90×90
最大长度 Maximum length	6000 mm



线槽 Cable Channel

180×90 普通型线槽 / 180×90 U 型线槽 180×90 shape / 180×90 U shape

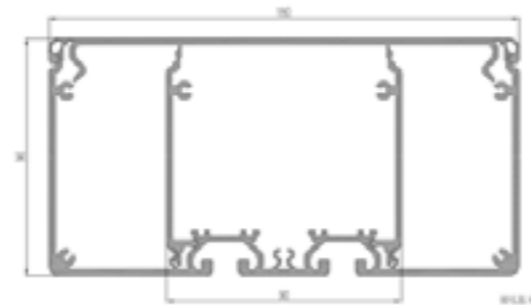
180X90U: 由 U 型和 180 的上线槽组成。插 90 边线槽后可以将电线、气、管等分类。

180*90U: The cable channel 180 U-Shape can be equipped with two 90 side profile as separators; for power wires and air pipes.

订货编号 Part Number	0010.30.18.90.S
材料 Material	铝合金 Aluminum
规格 Specifications	180×90 U
最大长度 Maximum length	6000 mm

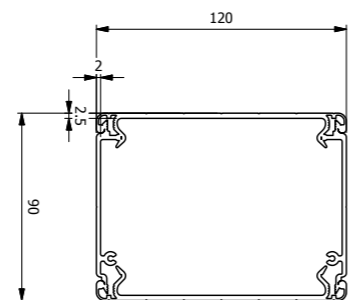


订货编号 Part Number	0010.30.18.91.S
型材槽口 Groove	槽宽 10 G 10
材料 Material	铝合金 Aluminum
规格 Specifications	180×90 U
最大长度 Maximum length	6000 mm



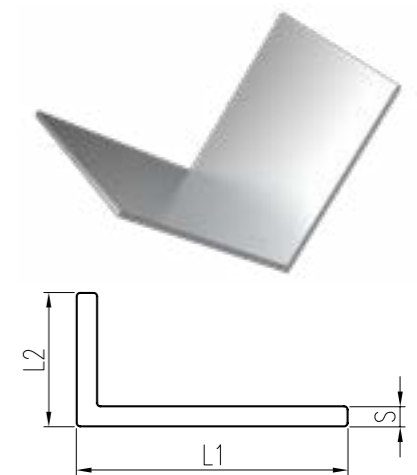
120×90 普通型线槽 120×90 shape

订货编号 Part Number	0010.30.12.90.S
材料 Material	铝合金 Aluminum
规格 Specifications	120×90
最大长度 Maximum length	6000 mm



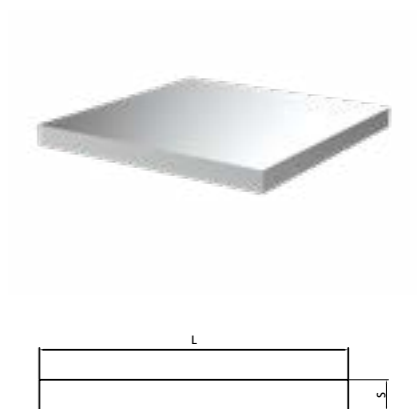
角铝 Angle profile

订货编号 Part number	材料 Material	L1	L2	S
0010.26.20.30	铝合金 Aluminum	20	30	3
0010.26.40.40	铝合金 Aluminum	40	40	4
0010.26.10.10	铝合金 Aluminum	100	100	3



铝板 Plate

订货编号 Part number	材料 Material	L	S
0010.28.28.05	铝合金 Aluminum	28	5
0010.28.40.06	铝合金 Aluminum	40	6
0010.28.45.05	铝合金 Aluminum	45	5
0010.28.10.08	铝合金 Aluminum	100	8



气管型材 Pneumatic profile

特点：
此型材需要再加工，链接一些气动元件可以提供压缩空气。
启动原件需要单独采购。

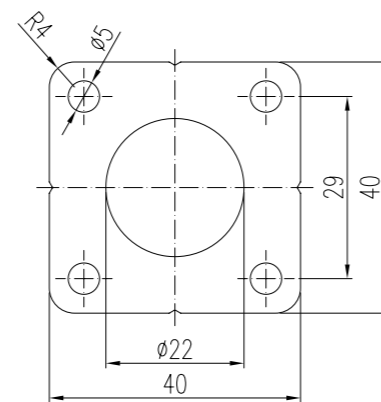
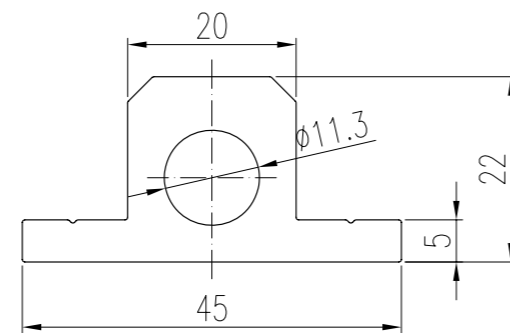
Description：
The profile need further manufacture and assembly pneumatic accessories can provide compresse air.

订货编号
Part Number 0010.24.45.20

材料
Material 铝合金
Aluminum

规格
Specifications 45x20

最大长度
Maximum length 6000 mm



订货编号
Part Number 0010.24.40.40

材料
Material 铝合金
Aluminum

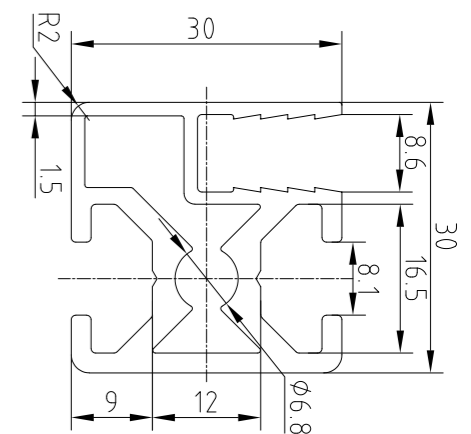
规格
Specifications 40x40

最大长度
Maximum length 6000 mm

保护栏铝型材 30x30 Protective grille Profile 30x30 订货编号 : 0010.50.30.30 / Part Number: 0010.50.30.30

产品参数 Product characteristics

型材槽口 Groove	=	G 8
材料 Material	=	AL6063, 阳极氧化处理 AL6063, anodized
截面面积 Cross-sectional area	A	= 3.16 cm ²
截面惯性矩 Ix Moment of Inertia, x-axis	Ix	= 2.48 cm ⁴
截面惯性矩 Iy Moment of Inertia, y-axis	Iy	= 2.92 cm ⁴
截面系数 Wx Resistance Moment, x-axis	Wx	= 1.57 cm ³
截面系数 Wy Resistance Moment, y-axis	Wy	= 1.83 cm ³
米重 Weight	m	= 0.91 kg/m
最大长度 Maximum length	L	= 6000 mm



40x40H 型材 40x40H Profile

特点：
该型材连在一起可作为立柱，此种连接方式便于包装和运输。

Description：
To connect two 40x40H profile will be stand, which is designed for easily to package and transport.

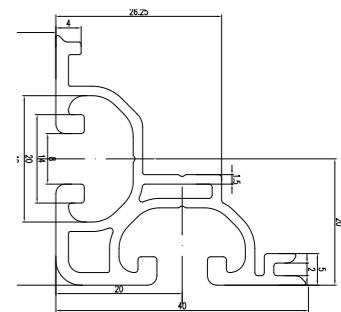
订货编号
Part Number 0010.08.40.43

型材槽口
Groove G 8

材料
Material AL6063, anodized

型材槽口
Groove G 8

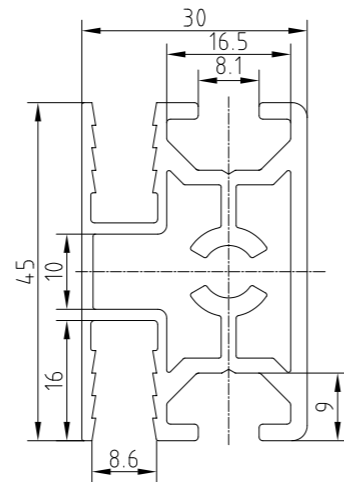
最大长度
Maximum length 6000 mm



保护栏铝型材 30x45 Protective grille Profile 30x45
 订货编号 : 0010.50.30.45 / Part Number: 0010.50.30.45

产品参数 Product characteristics

型材槽口 Groove	=	G 8
材料 Material	=	AL6063, 阳极氧化处理 AL6063, anodized
截面面积 Cross-sectional area	A =	4.49 cm ²
截面惯性矩 Ix Moment of Inertia, x-axis	Ix =	6.98 cm ⁴
截面惯性矩 Iy Moment of Inertia, y-axis	Iy =	4.11 cm ⁴
截面系数 Wx Resistance Moment, x-axis	Wx =	4.33 cm ³
截面系数 Wy Resistance Moment, y-axis	Wy =	1.82 cm ³
米重 Weight	m =	1.23 kg/m
最大长度 Maximum length	L =	6000 mm



型材槽盖板 Cover Profile	型材端盖 Caps for profile	线槽端盖 Caps for cable channel	T型螺母 Hammer head nut	螺母块 Sliding block	定位弹片 Sliding block clip
弹簧螺母块 Spring Block	T型螺栓 Hammer head screw	法兰螺母 Flange nut	专用螺栓 Core screw	蝴蝶扣 Core chip	悬挂角连接 Suspension bracket
型材角连接 Angle profile connector	螺纹管零件组件 Groover screw connection set	外角连接 Bracket	端部板连接 End plate connector	角连接 Corner bracket	斜面角连接 Miter bracket
平板连接 Flat plate	槽连接 Sliding profile connector	重型端部连接 Big end connector	重型板连接件 Plate connector	板连接件 Free angle plate connector	内角连接 Sliding inner bracket
铰链 Joint	合页 Hinge	万用合页 Universal hinge	球钩合页 Ball catch hinge	扣件 Straddling nut	滑勾 Sliding hook
移门型材 Sliding door profile	嵌条 Insert profile	板夹块 Clamp block	手柄 Handles	可调手柄 Adjustable handles	地脚件 Foot plact
地板连接件 Floor bracket	地脚 Feet	脚轮 Wheel	C型导轨 C Guide	无影灯 Lamp	信息板 Information board

型材槽盖板 Cover Profile

特点：
盖住槽中的电线，防止灰尘进入槽中，使型材外观更加美观。

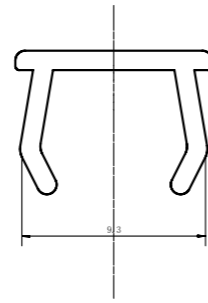
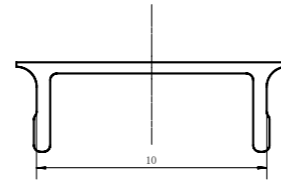
Description:
Cover the profile for various functional optical reasons and / or to maintain cleanliness.



适用于 30 & 40 系列型材

Application for 30 & 40 Profile Series

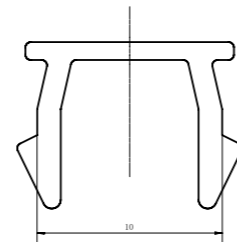
订货编号 Part Number	型材槽口 Groove	材料 Material	颜色 Color	最大长度 Maximum length
0010.22.08.01	槽宽 8 G 8	铝合金 Aluminum	铝合金本色 Natural	2000mm
0010.22.08.02	槽宽 8 G 8	铝合金 Aluminum	黑色 Black	2000mm
0011.22.08.01	槽宽 8 G 8	聚乙烯 LDPE	黑色 Black	2000mm
0011.22.08.03	槽宽 8 G 8	聚乙烯 LDPE	灰色 Grey	2000mm
0011.22.08.04	槽宽 8 G 8	聚乙烯 LDPE	白色 White	2000mm



适用于 45 & 60 系列型材

Application for 45 & 60 Profile Series

订货编号 Part Number	型材槽口 Groove	材料 Material	颜色 Color	最大长度 Maximum length
0010.22.10.01	槽宽 10 G 10	铝合金 Aluminum	铝合金本色 Natural	2000mm
0011.22.10.01	槽宽 10 G 10	聚乙烯 LDPE	黑色 Black	2000mm
0011.22.10.02	槽宽 10 G 10	聚乙烯 LDPE	白色 White	2000mm
0011.22.10.05	槽宽 10 G 10	聚乙烯 LDPE	灰色 Grey	2000mm
0011.22.10.06	槽宽 10 G 10	聚乙烯 LDPE	白色 White	2000mm



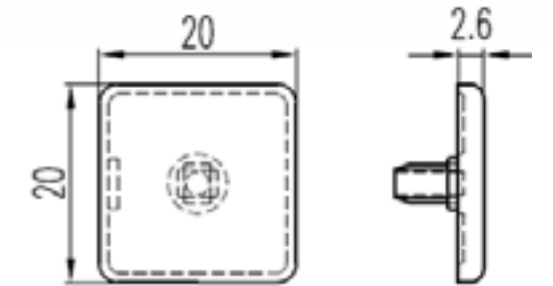
型材端盖 Caps for Profile

特点：
型材端盖能简单地安装在型材的端面上。使型材更美观、更安全。

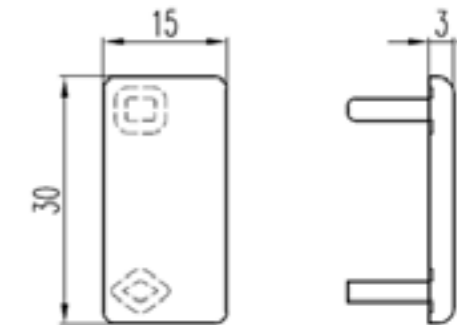
Description:
The caps can easily be attached to the end of the profile bar. This improves the optical design and prevents injuries.



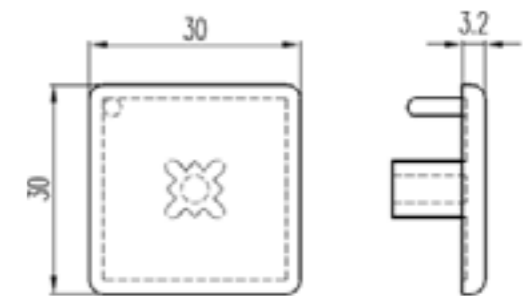
订货编号 Part Number	0015.05.20.20
材料 Material	增强尼龙 Nylon
规格 Specifications	20×20
厚度 Thickness	2 mm



订货编号 Part Number	0015.08.30.15
材料 Material	增强尼龙 Nylon
尺寸 Size	30×15
厚度 Thickness	3 mm

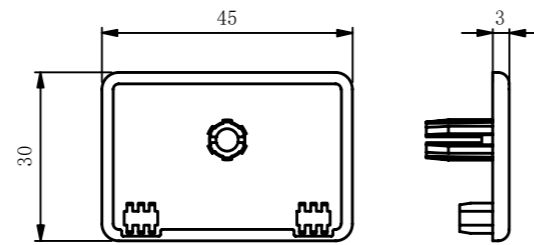


订货编号 Part Number	0015.08.30.30
材料 Material	增强尼龙 Nylon
规格 Specifications	30×30
厚度 Thickness	3 mm

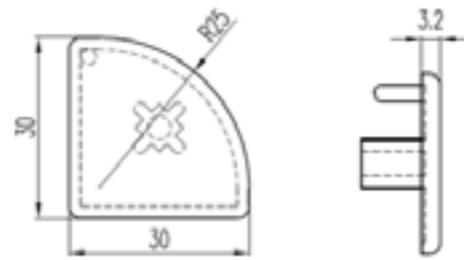


型材端盖 Caps for Profile

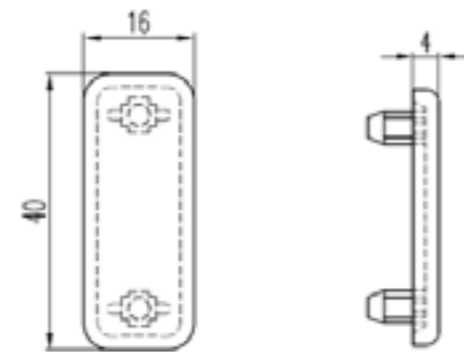
订货编号 Part Number	0015.08.30.31
材料 Material	增强尼龙 Nylon
规格 Specifications	30×30 R
厚度 Thickness	4 mm



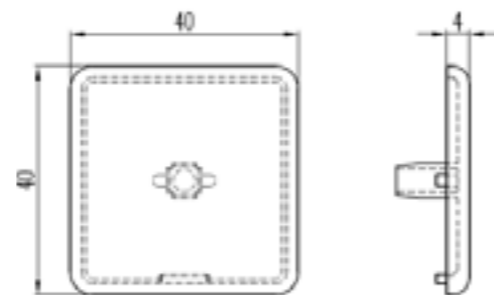
订货编号 Part Number	0015.08.30.45
材料 Material	增强尼龙 Nylon
规格 Specifications	30×45
厚度 Thickness	3 mm



订货编号 Part Number	0015.08.40.16
材料 Material	增强尼龙 Nylon
规格 Specifications	40×16
厚度 Thickness	4 mm

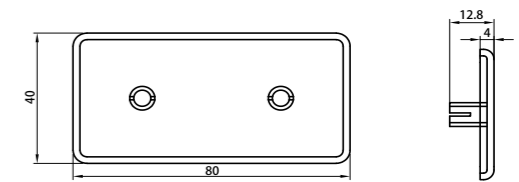


订货编号 Part Number	0015.08.40.40
材料 Material	增强尼龙 Nylon
规格 Specifications	40×40
厚度 Thickness	4 mm

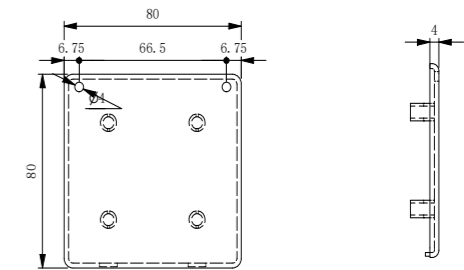


型材端盖 Caps For Profile

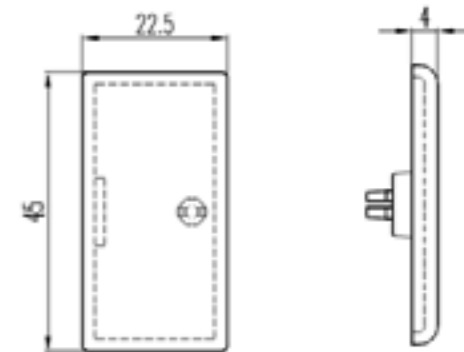
订货编号 Part Number	0015.08.40.80
材料 Material	增强尼龙 Nylon
规格 Specifications	40×80
厚度 Thickness	4mm



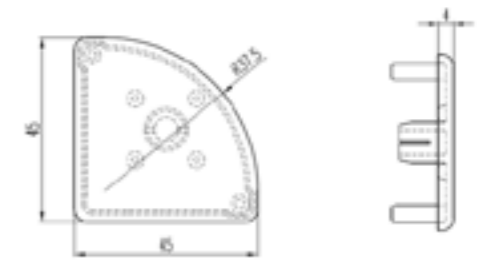
订货编号 Part Number	0015.08.80.80
材料 Material	增强尼龙 Nylon
规格 Specifications	80×80
厚度 Thickness	4mm



订货编号 Part Number	0015.10.45.23
材料 Material	增强尼龙 Nylon
规格 Specifications	45×22.5
厚度 Thickness	4 mm



订货编号 Part Number	0015.10.45.45
材料 Material	增强尼龙 Nylon
规格 Specifications	45×45
厚度 Thickness	4 mm

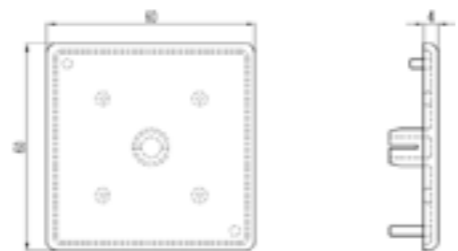
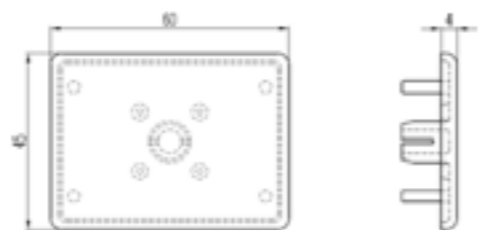
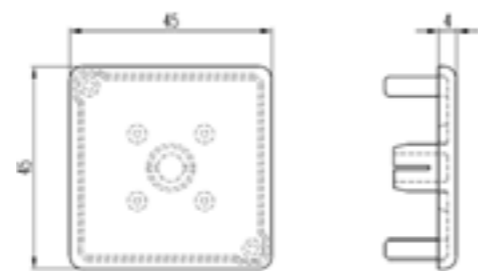


型材端盖 Caps For Profile

订货编号 Part Number	0015.10.45.47
材料 Material	增强尼龙 Nylon
规格 Specifications	45×45R
厚度 Thickness	4 mm

订货编号 Part Number	0015.10.45.60
材料 Material	增强尼龙 Nylon
规格 Specifications	45×60
厚度 Thickness	4 mm

订货编号 Part Number	0015.10.60.60
材料 Material	增强尼龙 Nylon
规格 Specifications	60×60
厚度 Thickness	4 mm



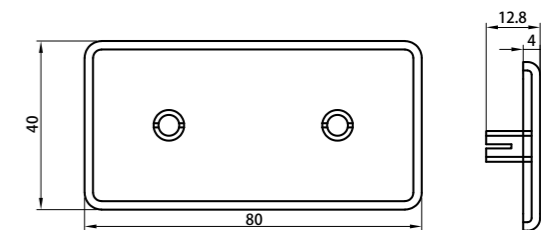
线槽端盖 Caps for Cable Channel

特点：
线槽端盖能简单地安装在线槽的端面上。使线槽更美观、更安全。

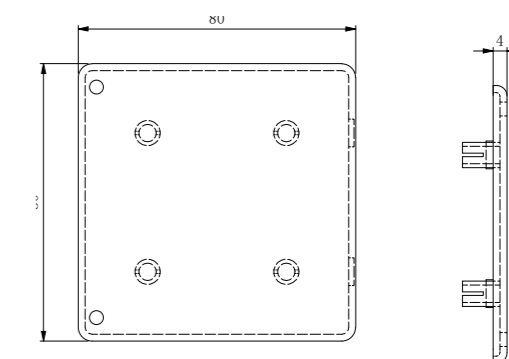
Description：
The caps can easily be attached to the end of the profile bar. This improves the optical design and prevents injuries.



订货编号 Part Number	0015.08.40.80.S
材料 Material	增强尼龙 Nylon
规格 Specifications	80×80
厚度 Thickness	4mm



订货编号 Part Number	0015.08.80.80.S
材料 Material	增强尼龙 Nylon
规格 Specifications	80×80
厚度 Thickness	4mm



订货编号 Part Number	0015.08.18.90.S
材料 Material	增强尼龙 Nylon
规格 Specifications	180×90
厚度 Thickness	4 mm



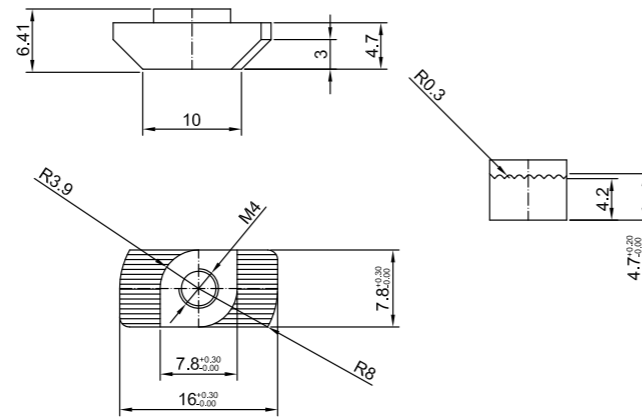
T 型螺母 Hammer Head Nut

特点：
T 型螺母能直接从槽上方放入其他连接简单并安全地固定在型材槽上。在装配过程中，T 型螺母会自动锁紧在型材槽中。

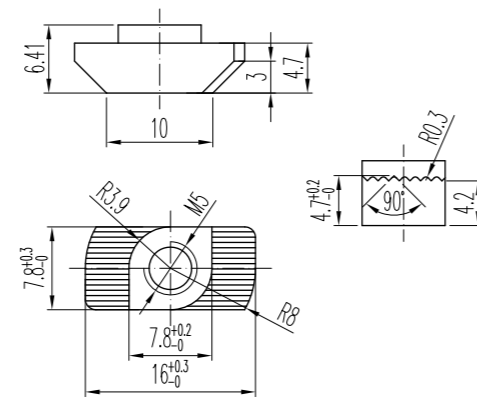
Description:
Hammer-head nuts are used for easy attachment of components. When locked in the groove, it produces a fixed thread.

30 系列型材专用
For 30 Profile Series

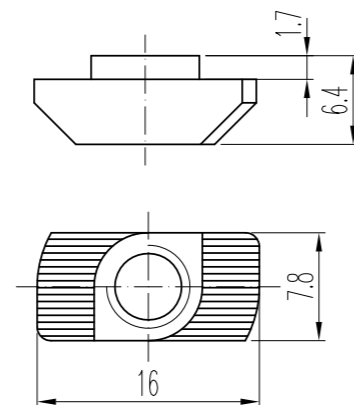
订货编号 Part Number	0020.10.08.04
材料 Material	碳钢，表面镀锌 Zinc coated steel
规格 Specifications	M4-G8



订货编号 Part Number	0020.10.08.05
材料 Material	碳钢，表面镀锌 Zinc coated steel
规格 Specifications	M5-G8



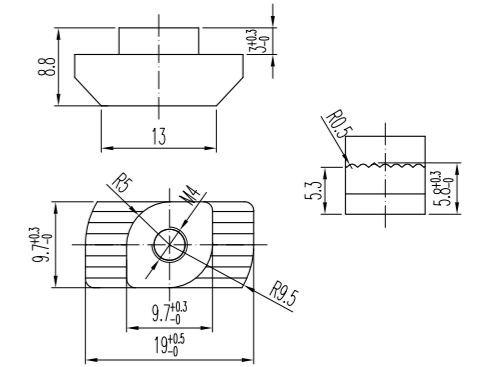
订货编号 Part Number	0020.10.08.06
材料 Material	碳钢，表面镀锌 Zinc coated steel
规格 Specifications	M6-G8



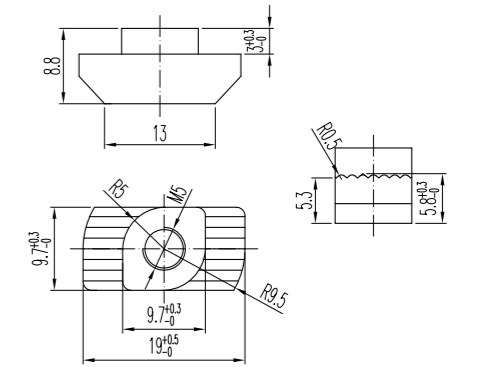
T 型螺母 Hammer Head Nut

45 & 60 系列型材专用
For 45 & 60 Profile Series

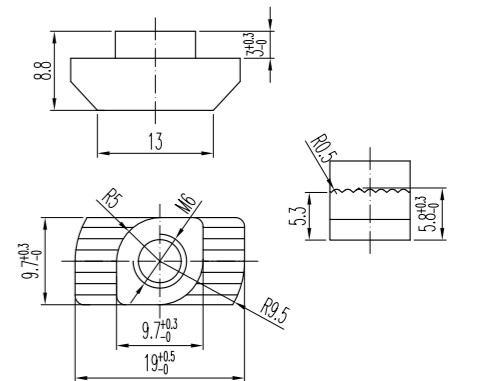
订货编号 Part Number	0020.10.10.04
材料 Material	碳钢，表面镀锌 Zinc coated steel
尺寸 Size	M4-G10



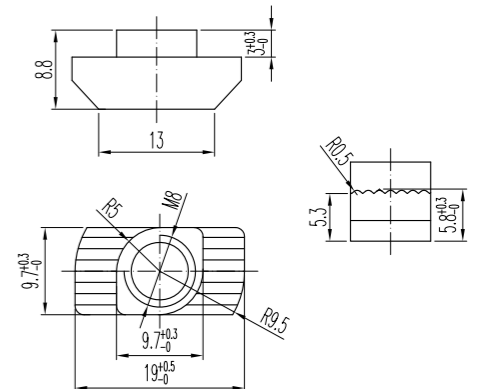
订货编号 Part Number	0020.10.10.05
材料 Material	碳钢，表面镀锌 Zinc coated steel
规格 Specifications	M5-G10



订货编号 Part Number	0020.10.10.06
材料 Material	碳钢，表面镀锌 Zinc coated steel
规格 Specifications	M6-G10



订货编号 Part Number	0020.10.10.08
材料 Material	碳钢，表面镀锌 Zinc coated steel
规格 Specifications	M8-G10



螺母块 Sliding Block

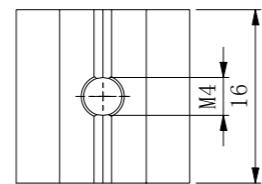
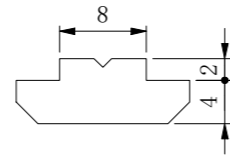
特点：
螺母块提供了安全可靠的连接方式。它们必须在装配前被塞进型材槽中。

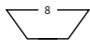
Description:
Sliding blocks provide a safe and secure connection for fastening applications. It's will be inserted into the groove before assembly.

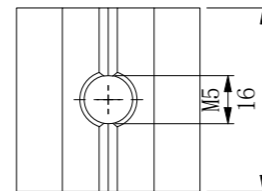
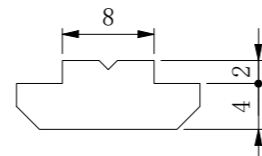


30 系列型材专用 For 30 Profile Series

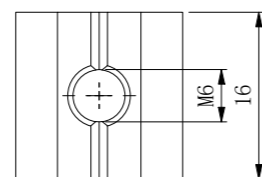
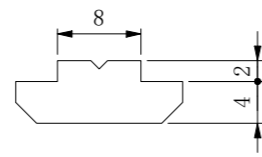
订货编号 Part Number	0020.20.08.04
材料 Material	碳钢，表面镀锌 Zinc coated steel
规格 Specifications	M4-G8
槽宽 Groove	



订货编号 Part Number	0020.20.08.05
材料 Material	碳钢，表面镀锌 Zinc coated steel
规格 Specifications	M5-G8
槽宽 Groove	



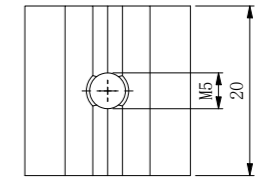
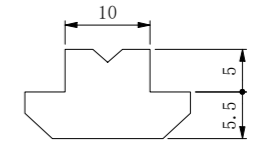
订货编号 Part Number	0020.20.08.06
材料 Material	碳钢，表面镀锌 Zinc coated steel
规格 Specifications	M6-G8
槽宽 Groove	



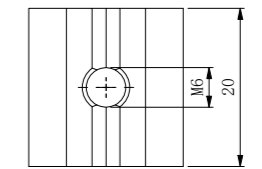
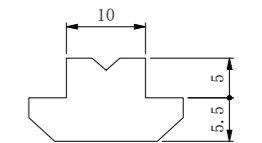
螺母块 Sliding Block

45 & 60 系列型材专用 For 45 & 60 Profile Series

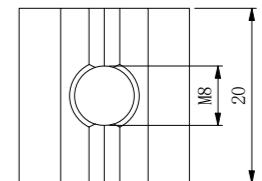
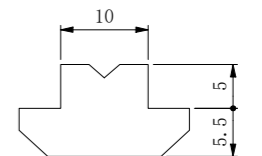
订货编号 Part Number	0020.20.10.05
材料 Material	碳钢，表面镀锌 Zinc coated steel
规格 Specifications	M5-G10
槽宽 Groove	



订货编号 Part Number	0020.20.10.06
材料 Material	碳钢，表面镀锌 Zinc coated steel
规格 Specifications	M6-G10
槽宽 Groove	



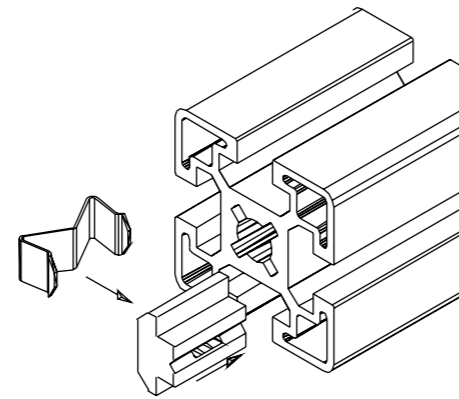
订货编号 Part Number	0020.20.10.08
材料 Material	碳钢，表面镀锌 Zinc coated steel
规格 Specifications	M8-G10
槽宽 Groove	



定位弹片 Sliding Block Clip

特点：
定位弹片用于螺母块垂直方向定位。

Description:
The sliding block clip can be used to hold the block in a fixed position while making a vertical connection with the groove.



订货编号 Part Number	0020.21.10.01
材料 Material	弹簧不锈钢 Spring steel
用途 Application	只用于 45x45 重型 For 45x45 profile only

订货编号 Part Number	0020.21.10.02
材料 Material	弹簧不锈钢 Spring steel
用途 Application	只用于 45x45 轻型 For 45x45 profile only

弹簧螺母块 Spring Block

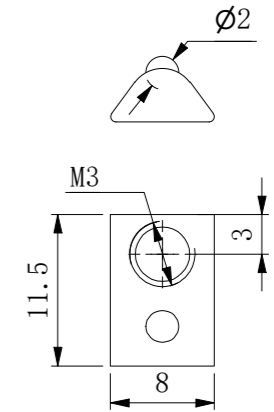
特点：
弹簧螺母块能被直接塞进型材槽中的装配点，弹簧螺母块能将它定位在槽中任意位置。

Description:
Swivel-in blocks can be inserted into the profile groove at the connecting spot. A small spring ball on the rear side assures the fixing of the spring block inside the groove.

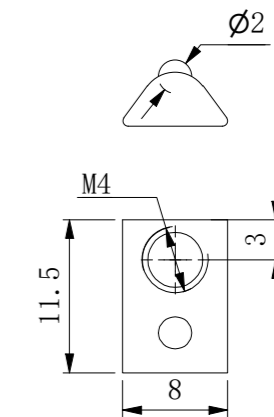


20 系列型材专用 For 20 Profile Series

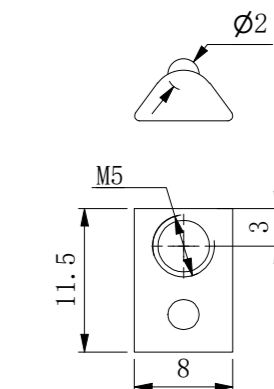
订货编号 Part Number	0020.30.05.03
材料 Material	碳钢，表面镀锌 Zinc coated steel
规格 Specifications	M3-G5
槽宽 Groove	



订货编号 Part Number	0020.30.05.04
材料 Material	碳钢，表面镀锌 Zinc coated steel
规格 Specifications	M4-G5
槽宽 Groove	

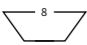


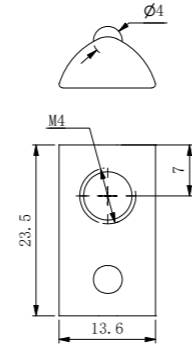
订货编号 Part Number	0020.30.05.05
材料 Material	碳钢，表面镀锌 Zinc coated steel
规格 Specifications	M5-G5
槽宽 Groove	



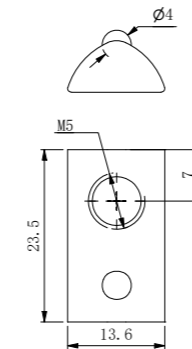
弹簧螺母块 Spring Block

40 系列型材专用
For 40 Profile Series

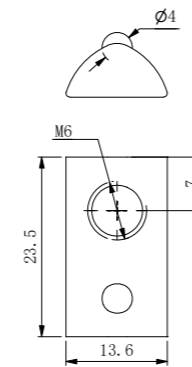
订货编号 Part Number	0020.30.08.04
材料 Material	碳钢，表面镀锌 Zinc coated steel
规格 Specifications	M4-G8
槽宽 Groove	



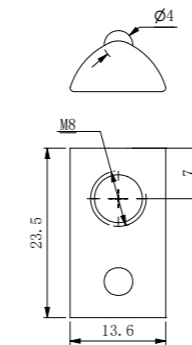
订货编号 Part Number	0020.30.08.05
材料 Material	碳钢，表面镀锌 Zinc coated steel
规格 Specifications	M5-G8
槽宽 Groove	



订货编号 Part Number	0020.30.08.06
材料 Material	碳钢，表面镀锌 Zinc coated steel
规格 Specifications	M6-G8
槽宽 Groove	



订货编号 Part Number	0020.30.08.08
材料 Material	碳钢，表面镀锌 Zinc coated steel
规格 Specifications	M8-G8
槽宽 Groove	



T 型螺栓 Hammer head screw

特点：
T 型螺栓和法兰螺母配套使用，可直接从型材槽正面放入，方便装配，提供不同直径和长度。

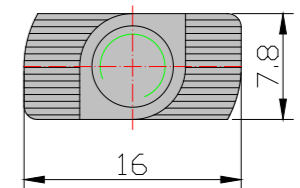
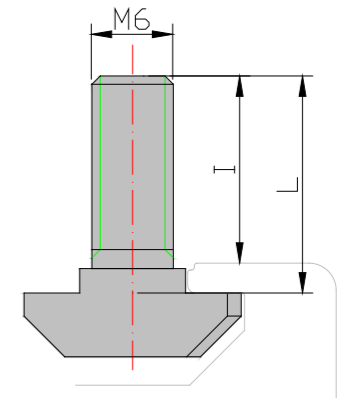
Description:
Hammer head screws are used for the attachment of components at the adjustable groove assembly spot on the profile bar. After attaching to the profile, the screw ensures an optimum high-strength connection. Different diameters and lengths are available.

30 & 40 系列型材专用
For 30 & 40 Profile Series

订货编号 Part Number	0020.12.08.12
材料 Material	碳钢，表面镀锌 Zinc coated steel
规格 Specifications	M6×12
L	12mm
l	10mm



订货编号 Part Number	0020.12.08.16
材料 Material	碳钢，表面镀锌 Zinc coated steel
规格 Specifications	M6×16
L	16mm
l	14mm



T 型螺栓 Hammer Head Screw

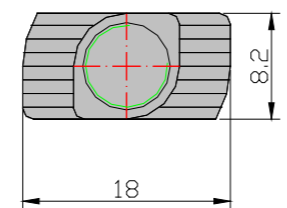
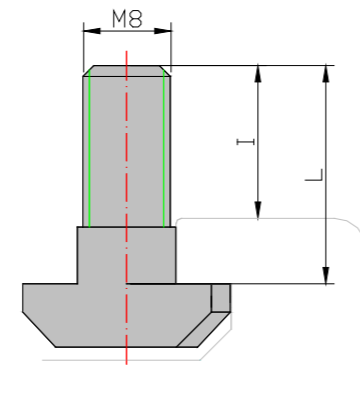
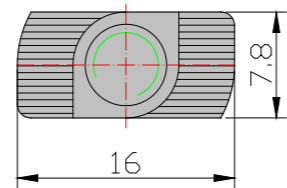
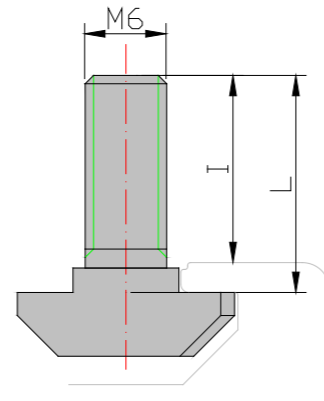
订货编号 Part Number	0020.12.08.20
材料 Material	碳钢, 表面镀锌 Zinc coated steel
规格 Specifications	M6×20
L	20mm
l	18mm

订货编号 Part Number	0020.12.08.25
材料 Material	碳钢, 表面镀锌 Zinc coated steel
规格 Specifications	M6×25
L	25mm
l	23mm

45 & 60 系列型材专用 For 45 & 60 Profile Series

订货编号 Part Number	0020.12.10.20
材料 Material	碳钢, 表面镀锌 Zinc coated steel
规格 Specifications	M8×20
L	20mm
l	14mm

订货编号 Part Number	0020.12.10.25
材料 Material	碳钢, 表面镀锌 Zinc coated steel
规格 Specifications	M8×25
L	25mm
l	19mm



法兰螺母 Flange Nut

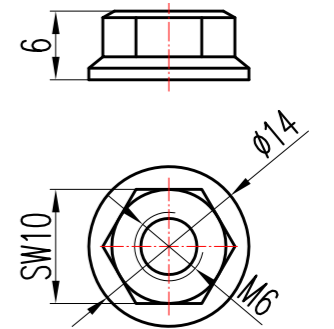
特点：
法兰螺母是一种简易而可调的连接方式，与 T 型螺栓配套使用。

Description:
Flange nuts are used for easy attachment of components in combination with screws at the adjustable groove assembly spot on the profile bar.

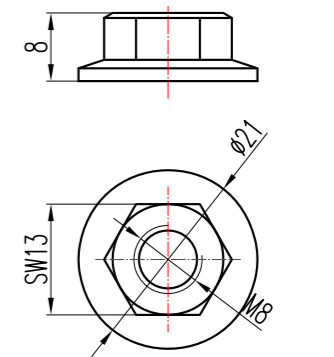
30 & 40 系列型材专用 For 30 & 40 Profile Serie

订货编号 Part Number	0020.14.08.06
材料 Material	碳钢, 表面镀锌 Zinc coated steel
规格 Specifications	M6-G8

订货编号 Part Number	0020.14.10.08
材料 Material	碳钢, 表面镀锌 Zinc coated steel
规格 Specifications	M8-G10



0020.14.08.06



0020.14.10.08

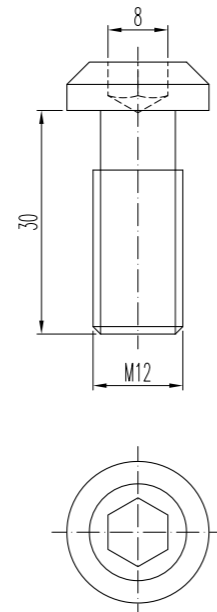
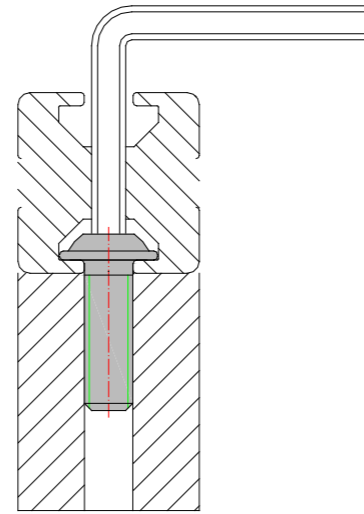
专用螺栓 Core Screw

特点：
专用螺栓是用来将两段型材连接在预定位置的经济型连接件。安装前需在预定位置打孔和攻螺纹。

Description:
Core screws offer an economical solution to connect two profiles at a defined assembly spot. Tapping process and access hold are required.

订货编号 Part Number	0020.42.08.25
材料 Material	碳钢，表面镀锌 Zinc coated steel
规格 Specifications	M8×25

订货编号 Part Number	0020.42.12.30
材料 Material	碳钢，表面镀锌 Zinc coated steel
规格 Specifications	M12×30



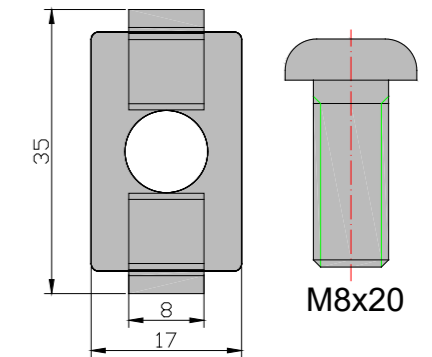
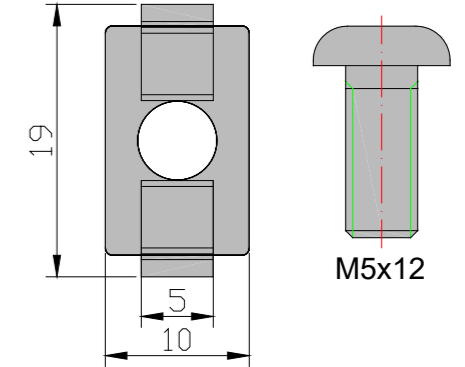
蝴蝶扣 Core Chip

特点：
和专用螺栓连接方式基本一致，但蝴蝶扣能防止型材在拧紧的时候扭转，并增强型材之间的连接强度。安装前需在预定位置打孔和攻螺纹。

Description:
Core chip sets offer an economical solution to connect two profiles at a defined assembly spot. The shape of the chip prevents the twisting of profiles while fastening and ensures additional connecting strength. Tapping process and access hole are required.

订货编号 Part Number	0020.46.05.05
成套编号 Set Number	0020.46.05.05.S
材料 Material	碳钢，表面镀锌 Zinc coated steel
用途 Application	For 20 Series Profile 专配 20 系列型材
套件组件 Accessories of the set	内六角盘头螺丝 M5*16 ×1 Allen pan head screw M5*16 ×1

订货编号 Part Number	0020.46.08.08
成套编号 Set Number	0020.46.08.08.S
材料 Material	碳钢，表面镀锌 Zinc coated steel
用途 Application	专配 40 系列型材 For 40 Series Profile
套件组件 Accessories of the set	内六角盘头螺丝 M8*20 ×1 Allen pan head screw M8*20 ×1

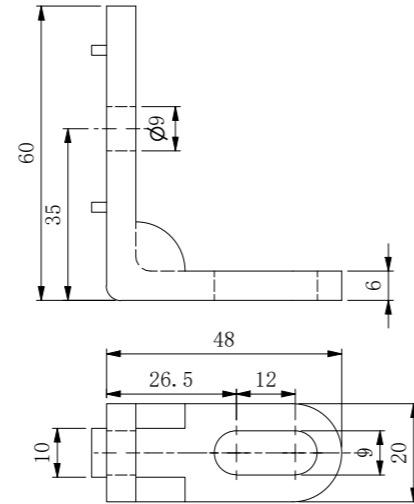


悬挂角连接 Suspension Bracket

特点：
悬挂角连接用于连接保护栏型材和立柱型材，形成保护栏。

Description:
Suspension Bracket is used to connect the protective grille profile and the column profile to form the protective grille.

订货编号 Part Number	0025.50.50.60.S
材料 Material	锌铝合金 Zn-Al Alloy
用途 Application	用于槽 8 及槽 10 For G8/G10

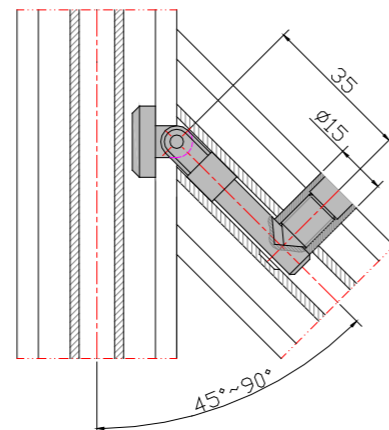


型材角连接 Angle Profile Connector

特点：
这种型材可连接两根不垂直型材，其角度为 45°至 90°，安装前需在特定位置打孔。

Description:
This device connects two profiles with angle ranged from 45° to 90° on a defined point. Bore preparation is necessary.

订货编号 Part Number	0020.40.10.00
材料 Material	碳钢，表面镀锌 Zinc coated steel
用途 Application	专配 45\60 系列型材 For 45\60 Series Profile

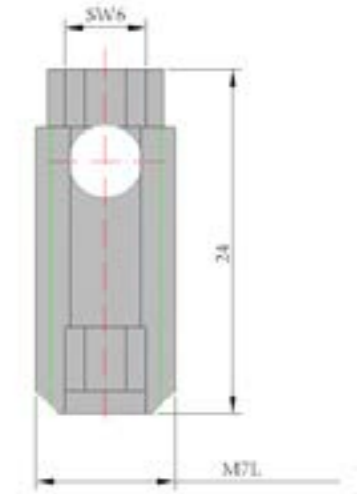


螺纹管零件组件 Groover Screw Connection Set

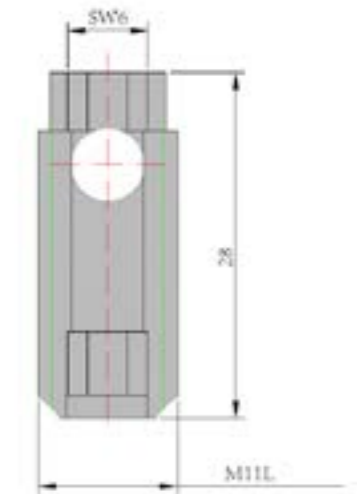
特点：
螺纹管零件组件提供了可调整位置的型材连接。螺纹管为左旋螺纹。专用塑料盖可以使装配点更美观。

Description:
Groove screw connection sets provide adjustable profile position connections. The material is left hand threaded and self-tapping. A plastic cover will improve the design.

成套编号 Set Number	0020.44.05.07.S
材料 Material	碳钢，表面镀锌 Zinc coated steel
规格 Specifications	M7L
用途 Application	专配 20 系列型材 For 20 Series Profile
套件组件 Accessories of the set	弹簧螺母块 M4-G5 ×1 圆柱头内六角螺栓 M4*30 ×1 Spring block M4-G5 ×1 Hexagon socket button head screws M4*30 ×1



成套编号 Set Number	0020.44.08.11.S
材料 Material	碳钢，表面镀锌 Zinc coated steel
规格 Specifications	M11L
用途 Application	专配 30 系列型材 For 30 Series Profile
套件组件 Accessories of the set	螺母块 M5-G8 ×1 圆柱头内六角螺栓 M5*35 ×1 Spring block M5-G8 ×1 Hexagon socket button head screws M5*35 ×1

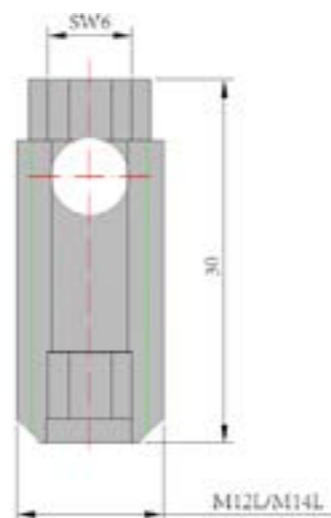
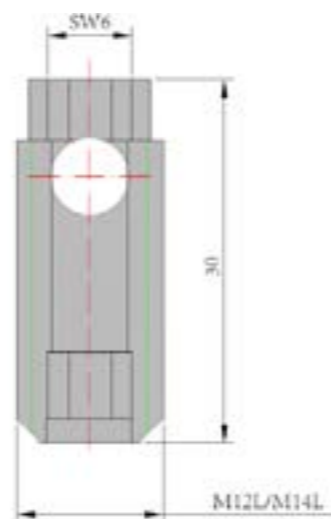
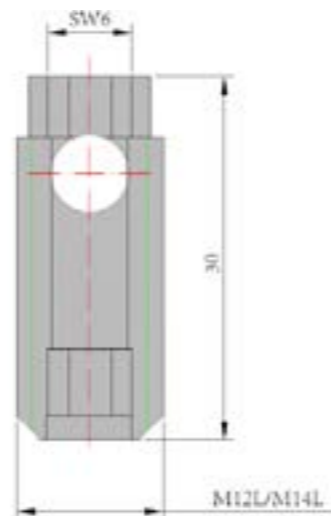


螺纹管零件组件 Groover Screw Connection Set

成套编号 Set Number	0020.44.08.12.S (40)
材料 Material	碳钢，表面镀锌 Zinc coated steel
规格 Specifications	M12L
用途 Application	用于 40 系列型材 For 40 Series Profile
套件组件 Accessories of the set	弹簧螺母块 M6-G8 ×1 圆柱头内六角螺栓 M6*40 ×1 Spring block M6-G8 ×1 Hexagon socket button head screws M6*40 ×1

成套编号 Set Number	0020.44.10.12.S (45)
材料 Material	碳钢，表面镀锌 Zinc coated steel
规格 Specifications	M12L
用途 Application	用于 45 重型型材和 45 & 60 系列型材 For 45 Heavy Profile and 45 & 60 Profile Series
套件组件 Accessories of the set	螺母块 M6-G10 ×1 圆柱头内六角螺栓 M6*40 ×1 Spring block M6-G10 ×1 Hexagon socket button head screws M6*40 ×1

成套编号 Set Number	0020.44.10.14.S
材料 Material	碳钢，表面镀锌 Zinc coated steel
规格 Specifications	M14L
用途 Application	用于 45 型材 For 45 Profile series
套件组件 Accessories of the set	螺母块 M6-G10 ×1 圆柱头内六角螺栓 M6*40 ×1 Sliding block M6-G10 ×1 Hexagon socket button head screws M6*40 ×1

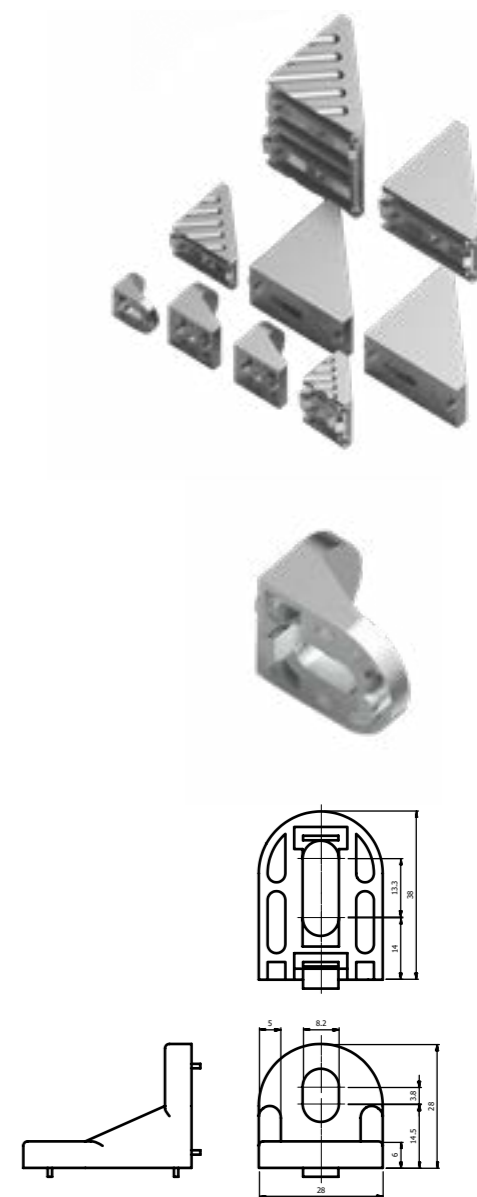


外角连接 Bracket

特点：
外角连接能使被连接的型材承受更强的力。装配点可调整，型材也无需做打孔准备。

Description:
Brackets support high strength for profile connection. The connecting spot is adjustable. No special preparation is required. Pins help to align the brackets in the profile groove.

订货编号 Part Number	0025.08.28.38
成套编号 Set Number	0025.08.28.38.S
材料 Material	铝合金 Al-Alloy
用途 Application	30 系列型材 30 Profile Series
套件组件 Accessories of the set	螺母块 M6-G8 ×2 圆柱头内六角螺栓 M6*16 ×2 普通大平垫 M6 ×2 Sliding block M6-G8 ×2 Hexagon socket button head screws M6*16 ×2 Plain mat M6 ×2

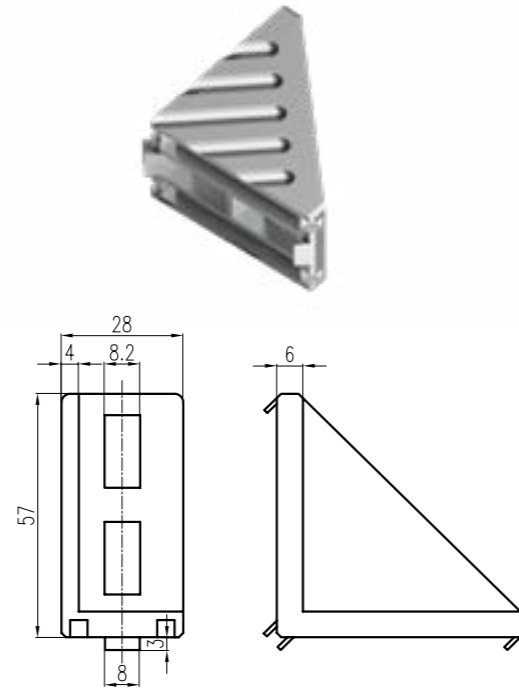


>>>
这种外角连接可根据所用的尼龙销钉连接槽宽为 8 或 10 的型材。
This bracket connects groove 8 or groove 10 profile according to the citing nylon pins.

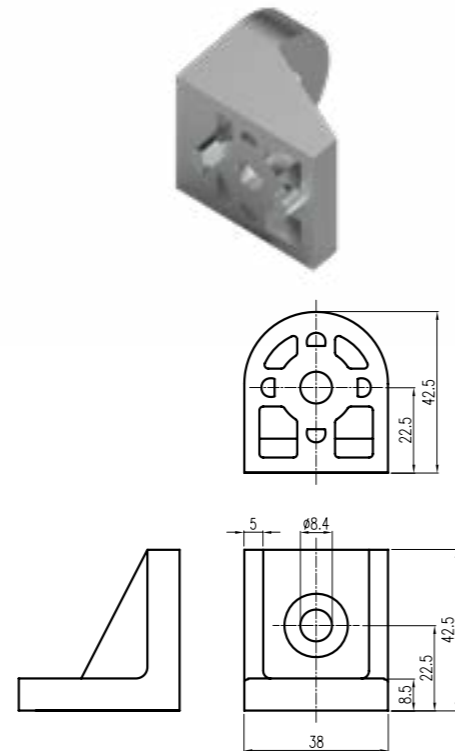
外角连接 Bracket

订货编号 Part Number	0025.08.28.57
成套编号 Set Number	0025.08.28.57.S
材料 Material	锌铝合金 Zn-Al Alloy
用途 Application	30×60 型材 30×60 Profile
套件组件 Accessories of the set	T 型螺栓 M6*16 ×4 法兰螺母 M6-G8×4 Hammer head screw M6*16 ×4 Flange nut M6-G8×4

>>>
只与槽宽为 10 的垂直型材相连接，并容易地在槽中滑动。
For freely connection of profile with groove 10 only.

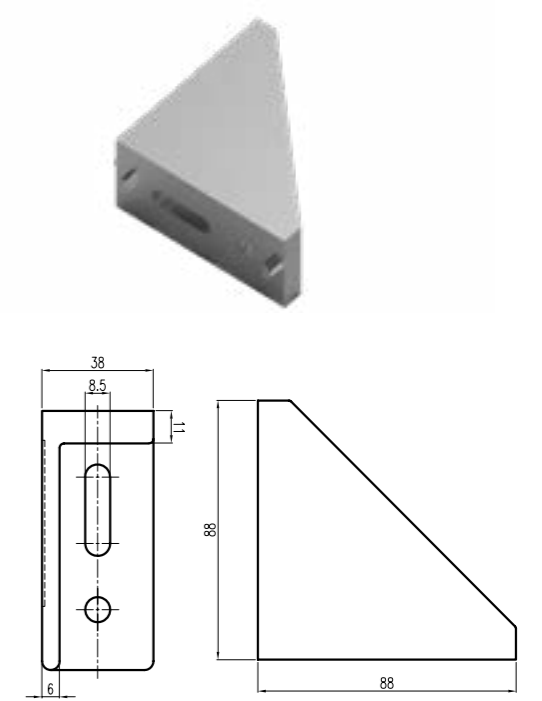


订货编号 Part Number	0025.08.38.43
成套编号 Set Number	0025.08.38.43.S
材料 Material	锌铝合金 Zn-Al Alloy
用途 Application	40 系列型材 40 Profile Series
套件组件 Accessories of the set	弹簧螺母块 M8-G8 ×2 沉内六角螺栓 M8*20×2 Spring block M8-G8×2 Hexagon socket countersunk flat cap head screw M8*20×2



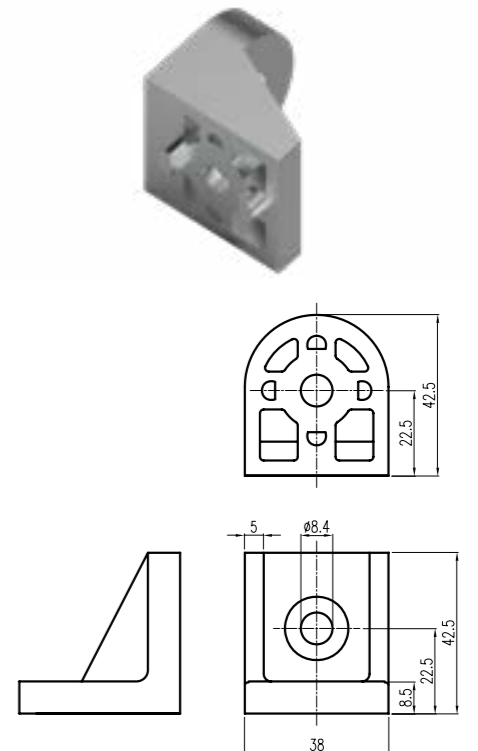
外角连接 Bracket

订货编号 Part Number	0025.08.38.88
成套编号 Set Number	0025.08.38.88.S
材料 Material	锌铝合金 Zn-Al Alloy
用途 Application	40 系列型材 40 Profile Series
套件组件 Accessories of the set	弹簧螺母块 M8-G8 ×4 圆柱头内六角螺栓 M8*25×4 Spring block M8-G8×4 Hexagon socket button head screws M8*25×4



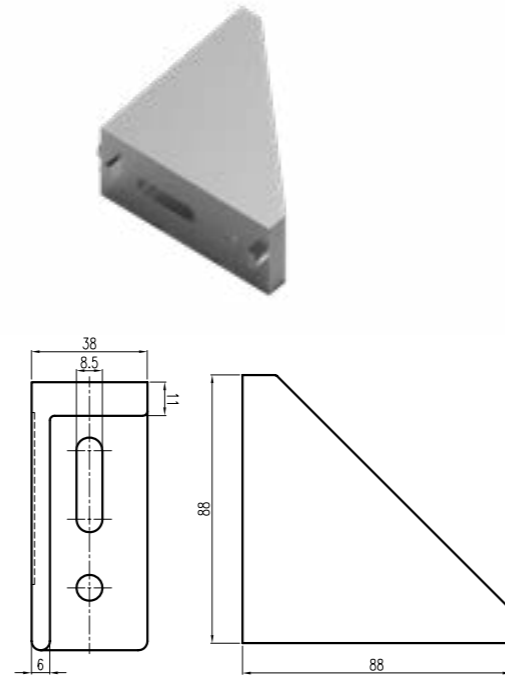
订货编号 Part Number	0025.10.38.43
成套编号 Set Number	0025.10.38.43.S
材料 Material	锌铝合金 Zn-Al Alloy
用途 Application	45 系列型材 45 Profile Series
套件组件 Accessories of the set	螺母块 M8-G10 ×2 沉头内六角螺栓 M8*20×2 Sliding block M8-G10×2 Hexagon socket countersunk flat cap head screw M8*20×2

>>>
这种外角连接可根据所用的尼龙销钉连接槽宽为 8 或 10 的型材。
This bracket connects groove 8 or groove 10 profile according to the citing nylon pins.



外角连接 Bracket

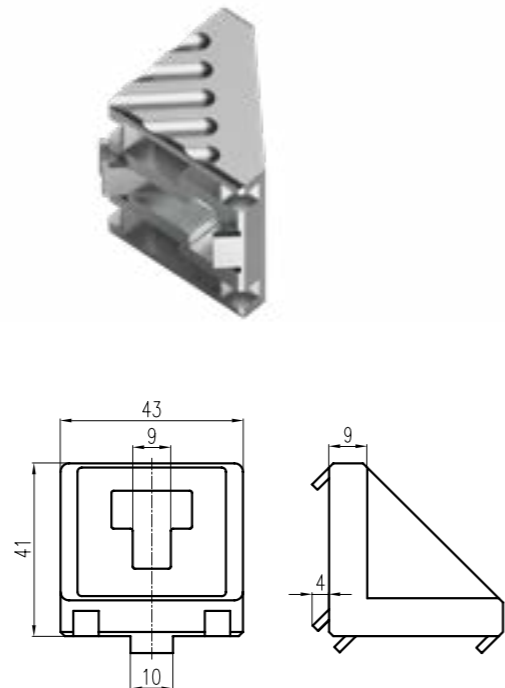
订货编号 Part Number	0025.10.38.88
成套编号 Set Number	0025.10.38.88.S
材料 Material	锌铝合金 Zn-Al Alloy
用途 Application	45 & 60 系列型材 45 & 60 Profile Series
套件组件 Accessories of the set	螺母块 M8-G10×4 圆柱头内六角螺栓 M8*25×4 Sliding block M8-G10×4 Hexagon socket button head screws M8*25×4



>>>

只与槽宽为 8 的垂直型材相连接，并容易地在槽中滑动。
For freely connection of profile with groove 8 only.

订货编号 Part Number	0025.10.43.41
成套编号 Set Number	0025.10.43.41 .S
材料 Material	Zn-Al Alloy 锌铝合金
用途 Application	45×45 轻型、重型型材 45×45 ; 45×45L Profile
套件组件 Accessories of the set	T 型螺栓 M8*25 ×2 法兰螺母 M8-G10×2 Hammer head screw M8*25 ×2 Flange nut M8-G10×2

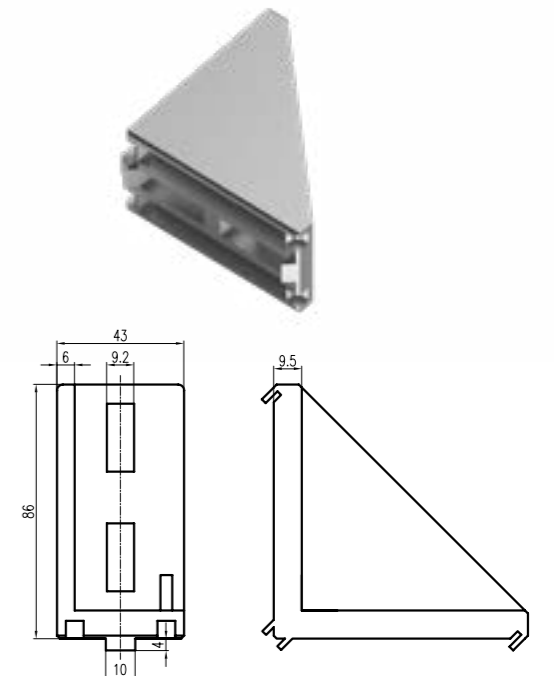


>>>

只与槽宽为 10 的垂直型材相连接，并容易地在槽中滑动。
For freely connection of profile with groove 10 only.

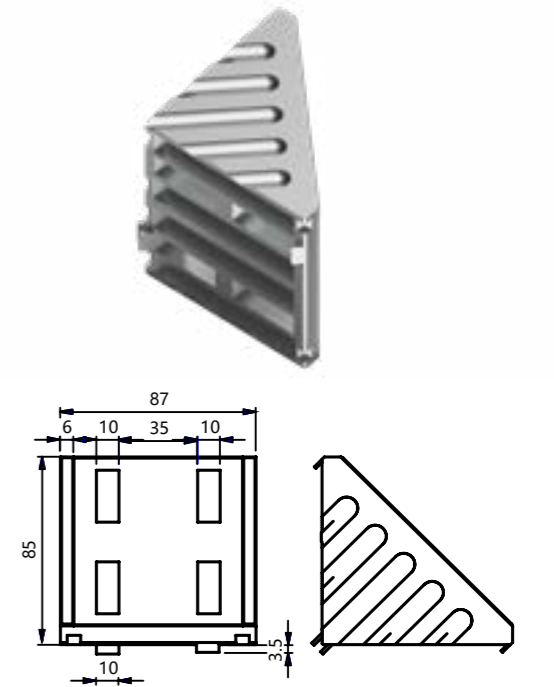
外角连接 Bracket

订货编号 Part Number	0025.10.43.86
成套编号 Set Number	0025.10.43.86.S
材料 Material	锌铝合金 Zn-Al Alloy
用途 Application	45 & 60 系列型材 45 & 60 Profile Series
套件组件 Accessories of the set	T 型螺栓 M8*25 ×4 法兰螺母 M8-G10×4 Hammer head screw M8*25 ×4 Flange nut M8-G10×4



订货编号 Part Number	0025.10.88.86
成套编号 Set Number	0025.10.88.86.S
材料 Material	锌铝合金 Zn-Al Alloy
用途 Application	45 & 60 系列型材 45 & 60 Profile Series
套件组件 Accessories of the set	T 型螺栓 M8*25 ×8 法兰螺母 M8-G10×8 Hammer head screw M8*25 ×8 Flange nut M8-G10×8

NEW



>>>

端部板连接 End Plate Connector

T 型

特点：
连接 45×45 和 45×45L 型材，是一种理想的用于型材 T 型连接方式的连接件。

T Style

Description:

T styles connect 45×45 or 45×45L Profiles, which is ideal to connect two profiles in a T-connection way.

订货编号 Part Number	0020.55.45.45
成套编号 Set Number	0020.55.45.45.S
材料 Material	锌铝合金 Zn-Al-Alloy
套件组件 Accessories of the set	专用螺栓 M12*30 ×1 M6*20 圆柱头螺栓 ×2 M6-G10T 型螺母 ×2 Core screw M12*30 ×1 Hexagon socket button head screws M6*20×2 Hammer head nut M6*G10×2

端面型

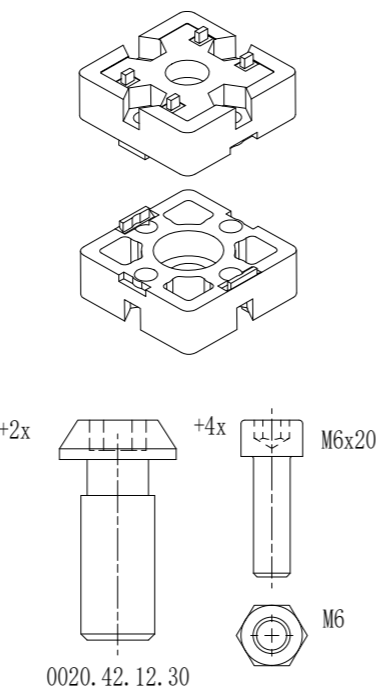
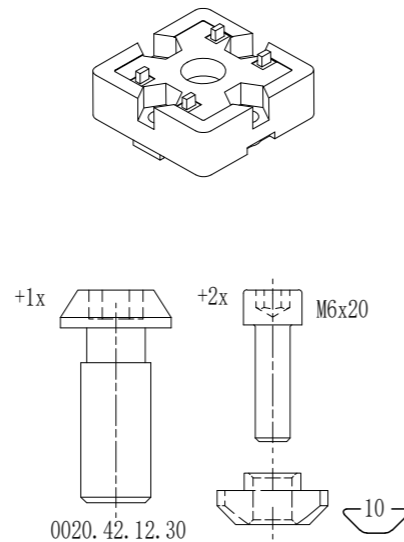
描述：
连接 45×45 和 45×45L 型材，是一种理想的用于端面对端面连接方式的连接件。

End Style

Description:

End styles connect 45×45 or 45×45L Profiles, which is ideal to connect two profiles in end-to-end connection way.

订货编号 Part Number	0020.55.45.46
成套编号 Set Number	0020.55.45.46.S
材料 Material	锌铝合金 Zn-Al-Alloy
套件组件 Accessories of the set	专用螺栓 M12*30 ×2 M6*20 圆柱头螺栓 ×4 螺丝 M6×4 Core screw M12*30 ×2 Hexagon socket button head screws M6*20×4 Nut M6×4



角连接 Corner Bracket

特点：

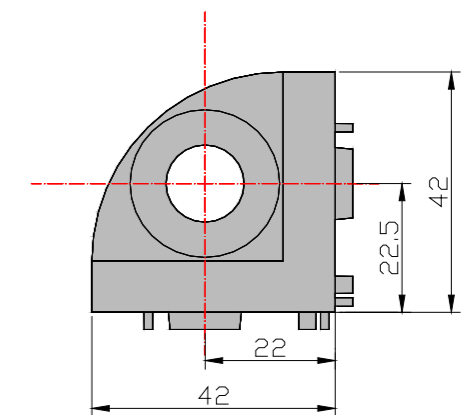
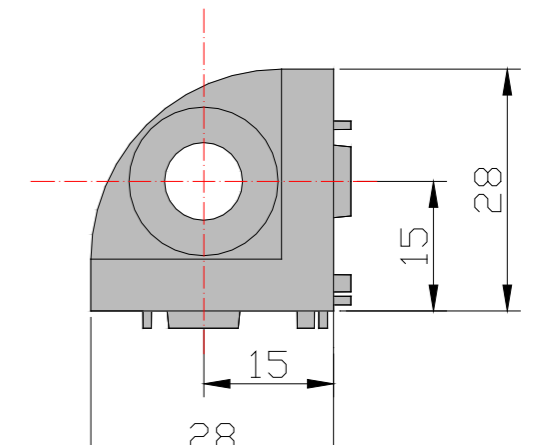
角连接能将两段或三段型材连接在一起。型材端面的中心孔用于连接。

Description:

Corner brackets are used to connect two or three profile ends together. The core hole of the profile is used for the connection.

成套编号 Set Number	0026.08.30.30.S
角连接 Corner Bracket	0026.08.30.30
角连接端盖 Cap for Corner Bracket	0015.26.30.30
材料 Material	锌铝合金 Zn-Al-Alloy
用途 Application	30×30R 型材 30×30R Profile
套件组件 Accessories of the set	30 角连接 ×1 30 角连接端盖 ×1 沉内六角螺栓 M8*20×3 30 Corner Bracket ×1 30 Cap for Corner Bracket ×1 Hexagon socket countersunk flat cap head screw M8*20 ×3

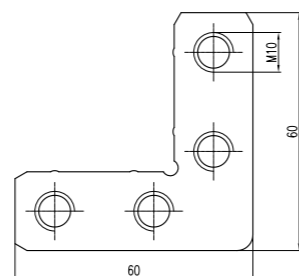
成套编号 Set Number	0026.10.45.45.S
角连接 Corner Bracket	0026.10.45.45
角连接端盖 Cap for Corner Bracket	0015.26.45.45
材料 Material	锌铝合金 Zn-Al-Alloy
用途 Application	45×45R 型材 45×45R Profile
套件组件 Accessories of the set	45 角连接 ×1 45 角连接端盖 ×1 沉内六角螺栓 M12*25 ×3 45 Corner Bracket ×1 45 Cap for Corner Bracket ×1 Hexagon socket countersunk flat cap head screw M12*25 ×3



斜面角连接 Miter Bracket

特点：
此连接件用于连接俩端面为 45° 角的型材，无需再用端盖。
材料：碳钢，表面镀锌

Description:
The miter bracket connects at right-angles profiles profiles which are sawn off at a 45° angle, as in doors . Profile caps are no longer required.
Material: Zinc coated steel

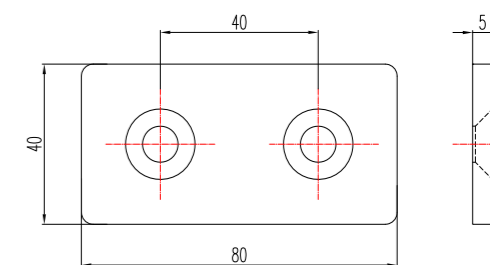


订货编号 Part Number	0020.27.60.60
材料 Material	碳钢，表面镀锌 Zinc coated steel
用途 Application	用于槽 10 的型材 For Groove 10

平板连接 Flat Plate

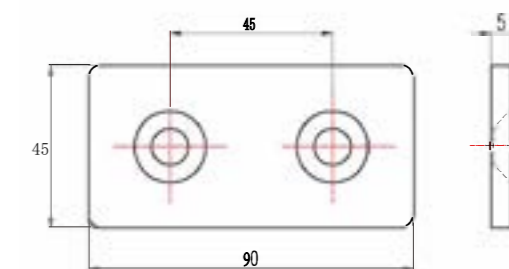
特点：
安全地连接型材与型材（当型材内部不能进入），或型材与其他部件。

Description:
Flat plates 40 are used to connect profiles to profiles (when the inside of the profile structure cannot be accessed) or other components securely. Fastening hardware to be ordered separately.



成套编号 Set Number	0028.08.40.80.S
材料 Material	钢 Steel
颜色 Color	黑色 Black
用途 Application	40 系列型材 40 Profile Series
套件组件 Accessories of the set	弹簧螺母块 M8-G8 ×2 沉头内六角 M8*14×2 Spring block M8-G8 ×2 Hexagon socket countersunk flat cap head screw M8*14×2

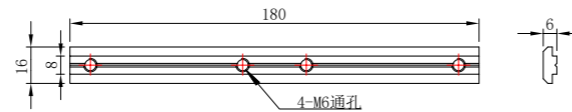
成套编号 Set Number	0028.08.45.80.S
材料 Material	钢 Steel
颜色 Color	黑色 Black
用途 Application	45 系列型材 45 Profile Series
套件组件 Accessories of the set	Sliding block M8-G10 ×2 Hexagon socket countersunk flat cap head screw M8*16×2 螺母块 M8-G10 ×2 沉头内六角 M8*16×2



槽连接 Sliding Profile Connector

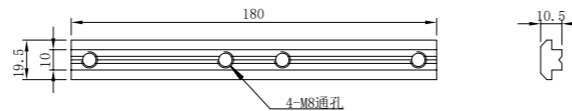
特点：
槽连接是一种快速安全可靠的型材连接。

Description:
Profile connectors are a fast and secure alternative for a profile connection.



成套编号 Set Number	0020.22.08.06.S
材料 Material	碳钢，表面镀锌 Zinc coated steel
用途 Application	30 & 40 系列型材 30 & 40 Profile Series
套件组件 Accessories of the set	紧定螺钉 M6*8 ×4 set screw M6*8 ×4

成套编号 Set Number	0020.22.10.08.S
材料 Material	碳钢，表面镀锌 Zinc coated steel
用途 Application	45 & 60 系列型材 45 & 60 Profile Series
套件组件 Accessories of the set	紧定螺钉 M8*10 ×4 set screw M8*10 ×4



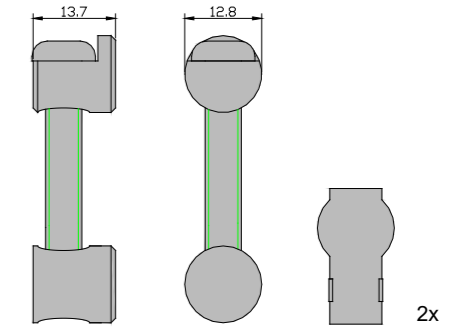
重型端部连接 Big End Connector

特点：
连接型材两端面。建议用在 80×80, 80×80L, 90×90, 90×90L 型材上。

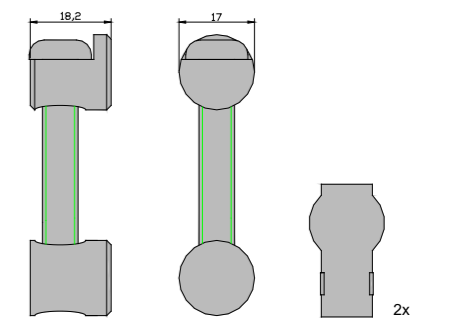
Description:
Big end connector, for joining two profiles end to end. Suggested to use for 80×80, 80×80L, 90×90, 90×90L profile.



订货编号 Part Number	0020.48.08.01.S
材料 Material	碳钢表面镀锌 Zinc coated steel
用途 Application	30 & 40 Profile Series
套件组件 Accessories of the set	内六角盘头螺丝 M6*40 ×1 Allen pan head screw M6*40 ×1



订货编号 Part Number	0020.48.10.01.S
材料 Material	碳钢表面镀锌 Zinc coated steel
用途 Application	45 & 60 Profile Series
套件组件 Accessories of the set	内六角盘头螺丝 M8*55 ×1 Allen pan head screw M8*55 ×1



重型板连接件 Plate Connector

特点：
重型板连接件与型材连接之后，可起到加固作用，只适用于 80×80, 80×80L 型材。

Description:
plate connector for reinforcing existing connections. Assembly at a later stage is possible without any problem, used for 80×80, 80×80L profile only.

成套编号
Set Number 0020.50.08.11.S

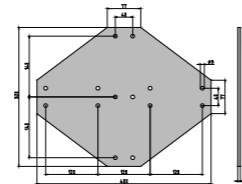
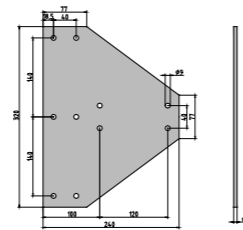
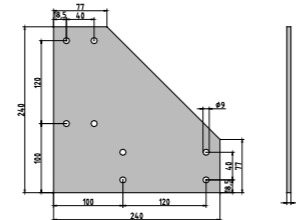
材料
Material 碳钢，表面镀锌
Zinc coated steel

成套编号
Set Number 0020.50.08.12.S

材料
Material 碳钢，表面镀锌
Zinc coated steel

成套编号
Set Number 0020.50.08.13.S

材料
Material 碳钢，表面镀锌
Zinc coated steel



板连接件 Free Angle Plate Connector

特点：
板连接件应用于型材与板件具有可调性的连接。它也用于工作站框架的角度和高度的调节。

Description:
Plate connectors are used in applications as an adjustable supporting base for profiles and plates. They are also used for workstation shelves where angle and height adjustments are necessary.



成套编号
Set Number 0020.50.08.01.S

材料
Material 碳钢，黑色
Carbon steel Black

用途
Application 30 & 40 系列型材
30 & 40 Profile Series

套件组件
Accessories of the set

- 1 个板连接
- 3 个螺母块
- 3 个垫圈
- 1 个可调手柄
- 2 个螺栓
- Plate connector ×1
- Sliding blocks ×3
- Washers ×3
- Adjustable handle ×1
- Screws ×2

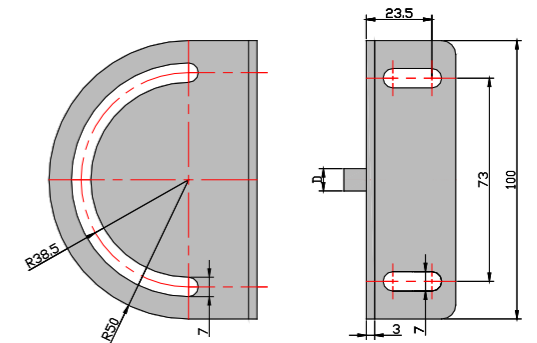
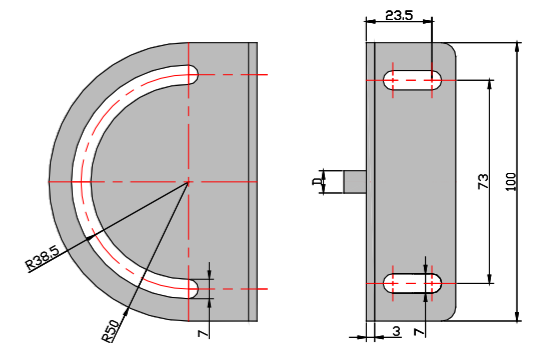
成套编号
Set Number 0020.50.10.01.S

材料
Material 碳钢，黑色
Carbon steel Black

用途
Application 45 & 60 系列型材
45 & 60 Profile Series

套件组件
Accessories of the set

- 1 个板连接
- 3 个螺母块
- 3 个垫圈
- 1 个可调手柄
- 2 个螺栓
- Plate connector ×1
- Sliding blocks ×3
- Washers ×3
- Adjustable handle ×1
- Screws ×2



内角连接 Sliding Inner Bracket

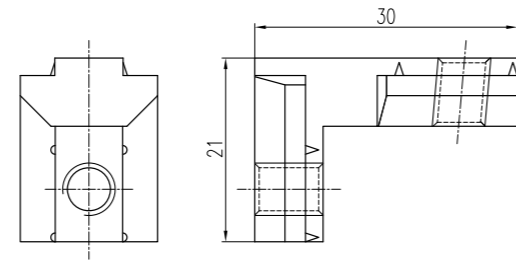
特点：
此连接件可隐藏在型材槽里，快速连接，美观、经济。

Description:
Sliding inner bracket are hidden inside the profile groove, easy to assemble, elegant and economic.



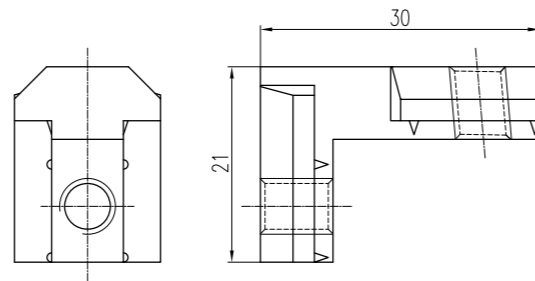
Inside-to-outside connection

成套编号 Set Number	0020.26.08.01.S
材料 Material	锌铝合金 Zn-Al Alloy
用途 Application	专配 30&40 系列型材 For 30&40 Series Profile

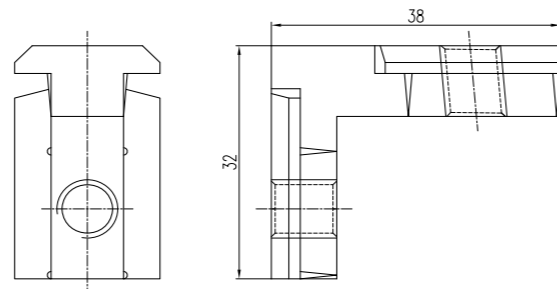


Inside-to-outside connection

成套编号 Set Number	0020.26.08.02.S
材料 Material	锌铝合金 Zn-Al Alloy
用途 Application	专配 30&40 系列型材 For 30&40 Series Profile



订货编号 Part Number	0020.26.10.02
材料 Material	锌铝合金 Zn-Al Alloy
用途 Application	专配 45 系列型材 For 45 Series Profile



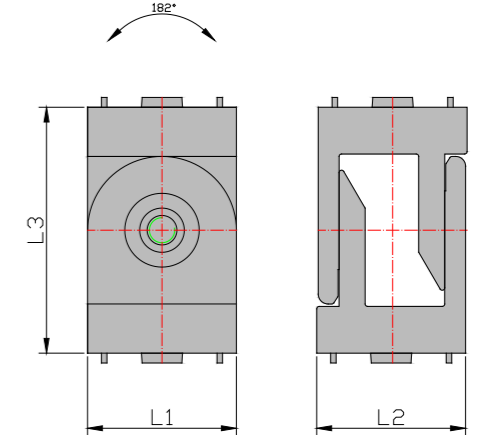
铰链 Joint

特点：
铰链用于型材与型材或者型材与连接件的连接。旋转范围为 180 度。

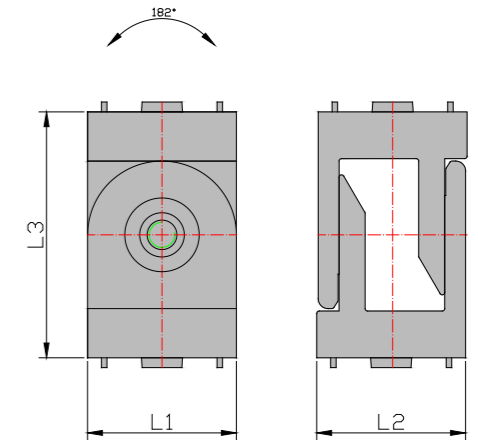
Description:
Joint is a profile to profile or a profile to elements connection which can provide a 180 degree rotation.



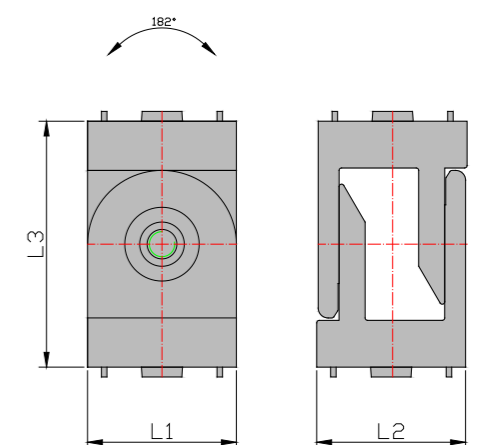
订购编号 Part Number	0030.08.30.30
材料 Material	锌铝合金 Zn-Al-Alloy
用途 Application	30x30 型材 30x30 Profile
尺寸 Size	L1=30 mm L2=30 mm L3=50 mm
描述 Description	连接孔 M6 Connection hole M6



订购编号 Part Number	0030.08.40.40
材料 Material	Zn-Al-Alloy 锌铝合金
用途 Application	40x40 型材 40x40 Profile
尺寸 Size	L1=40 mm L2=40 mm L3=60 mm
描述 Description	连接孔 M8 Connection hole M8



订购编号 Part Number	0030.10.45.45
材料 Material	锌铝合金 Zn-Al-Alloy
用途 Application	45x45 型材 45x45 Profile
尺寸 Size	L1=45 mm L2=45 mm L3=75 mm
描述 Description	连接孔 M12 Connection hole M12



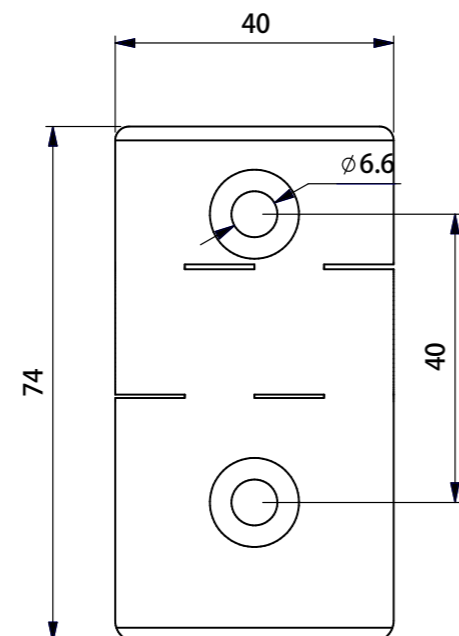
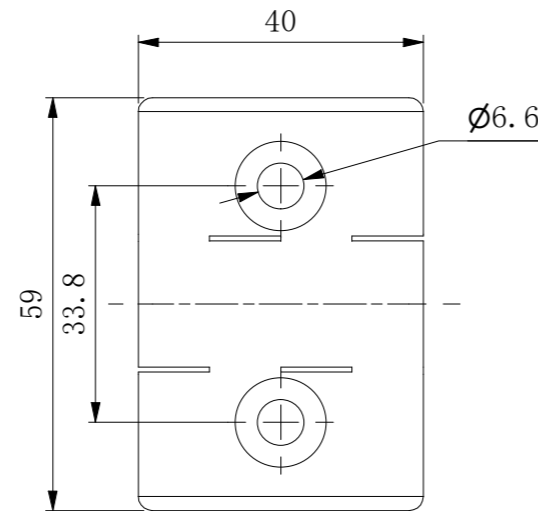
合页 Hinge

特点：
合页用来连接型材与板，型材与型材。只有 40×40 合页有左右之分。

Description:
Hinges are designed to connect access Panels to profile, profiles to profiles. Only 40×40 hinge is divided into left and Right different.

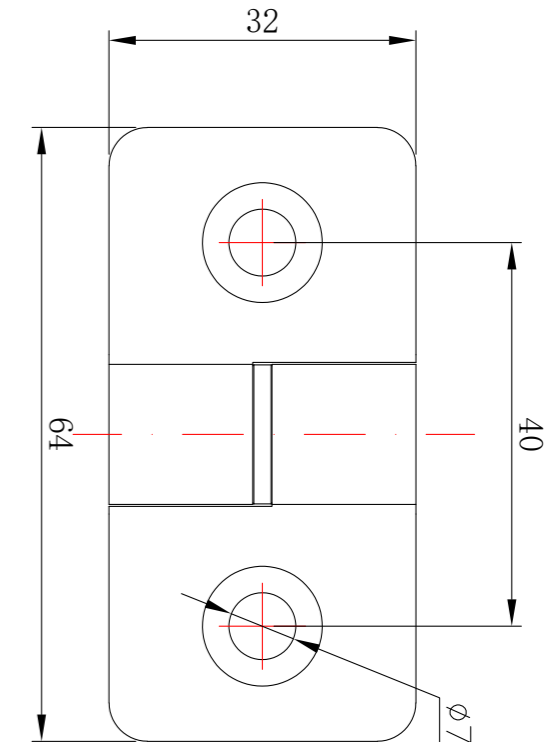
成套编号 Set Number	0040.08.30.30.S
材料 Material	增强尼龙 Nylon
颜色 Color	黑色 Black
尺寸 Size	L1=30 L2=30
用途 Application	30*30 型材 30*30 Profile
套件组件 Accessories of the set	螺母块 M6-G8 ×2 沉头内六角螺栓 M6*16 ×2 Sliding block M6-G8 ×2 Hexagon socket countersunk flat cap head screw M6*16 ×2

成套编号 Set Number	0040.08.30.45.S
材料 Material	增强尼龙 Nylon
颜色 Color	黑色 Black
尺寸 Size	L1=30 L2=45
用途 Application	30X45 型材 30X45 Profile
套件组件 Accessories of the set	螺母块 M6-G8 ×1 M6-G10 ×1 沉头内六角螺栓 M6X16 ×1 M6X20 ×1 Sliding block M6-G8 ×1 M6-G10 ×1 Hexagon socket countersunk flat cap head screw M6X16 ×1 M6X20 ×1

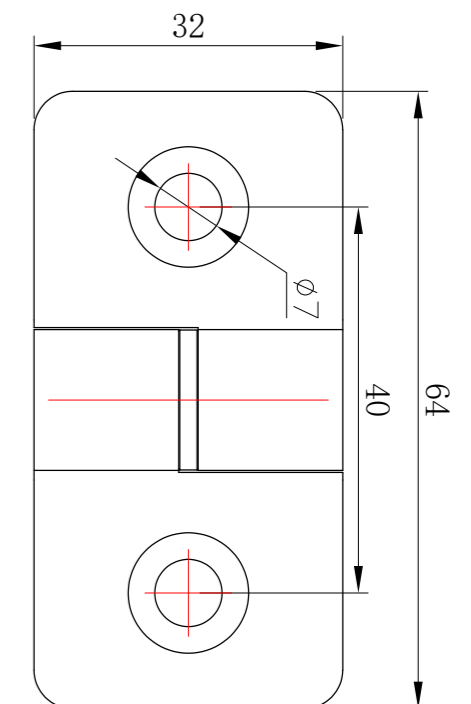


合页 Hinge

成套编号 Set Number	0040.08.40.41.S
材料 Material	增强尼龙 Nylon
颜色 Color	黑色 Black
尺寸 Size	L1=40 L2=40
连接方向 Direction of connection	左边 Left
用途 Application	40×40 型材 40×40 Profile
套件组件 Accessories of the set	弹簧螺母块 M6-G8 ×2 沉头内六角螺栓 M6*16 ×2 Spring block M6-G8 ×2 Hexagon socket countersunk flat cap head screw M6*16 ×2

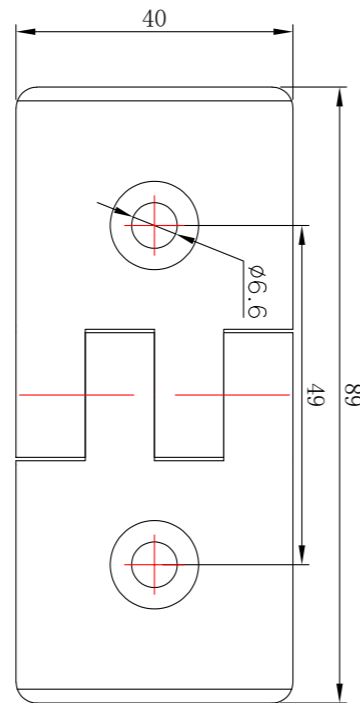


成套编号 Set Number	0040.08.40.42.S
材料 Material	增强尼龙 Nylon
颜色 Color	黑色 Black
尺寸 Size	L1=40 L2=40
连接方向 Direction of connection	右边 Right
用途 Application	40×40 型材 40×40 Profile
套件组件 Accessories of the set	弹簧螺母块 M6-G8 ×2 沉头内六角螺栓 M6*16 ×2 Spring block M6-G8 ×2 Hexagon socket countersunk flat cap head screw M6*16 ×2



合页 Hinge

成套编号 Set Number	0040.10.45.45.S
材料 Material	增强尼龙 Nylon
颜色 Color	黑色 Black
尺寸 Size	L1=45 L2=45
用途 Application	45×45 型材 45×45 Profile
套件组件 Accessories of the set	螺母块 M6-G10 ×2 沉头内六角螺栓 M6*20 ×2 Sliding block M6-G10 ×2 Hexagon socket countersunk flat cap head screw M6*20 ×2



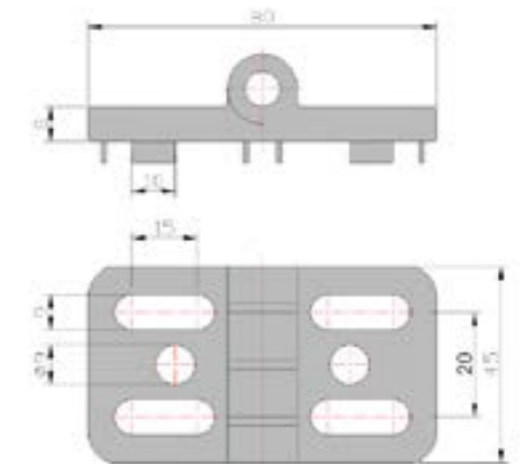
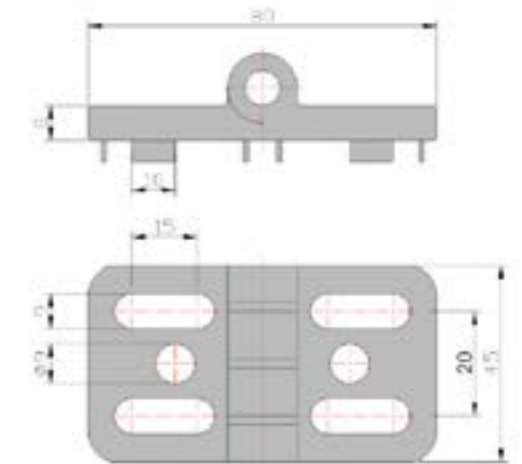
万用合页 Universal Hinge

特点：
万用合页用来连接型材与板，型材与型材。

Description:
Universal Hinge are designed to connect access. Panels to profile, profiles to profiles.

成套编号 Set Number	0040.50.40.80.S
材料 Material	锌铝合金 Zn-Al-Alloy
颜色 Color	银灰色 Grey
用途 Application	40×40 型材 40×40 Profile
套件组件 Accessories of the set	弹簧螺母块 M8-G8 ×4 圆柱头内六角螺栓 M8*20 ×4 普通平垫 M8 ×4 Spring block M8-G8 ×4 Hexagon socket button head screws M8*20 ×4 Washer M8 ×4

成套编号 Set Number	0040.50.45.80.S
材料 Material	锌铝合金 Zn-Al-Alloy
颜色 Color	银灰色 Grey
用途 Application	45×45 型材 45×45 Profile
套件组件 Accessories of the set	螺母块 M8-G8 ×4 圆柱头内六角螺栓 M8*20 ×4 普通平垫 M8 ×4 Sliding block M8-G10 ×4 Hexagon socket button head screws M8*20 ×4 Washer M8 ×4



球钩合页 Ball Catch Hinge

特点：
连接有框架和无框架门，可方便拆卸。

Description:
Universal ball catch hinges for flaps, sliding and swing doors with and without frames.

成套编号
Set Number **0040.08.74.76.S**

材料
Material 尼龙
PA

用途
Application 40×40 型材
40×40 Profile

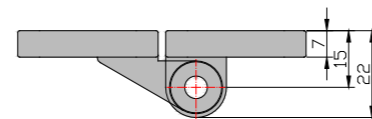
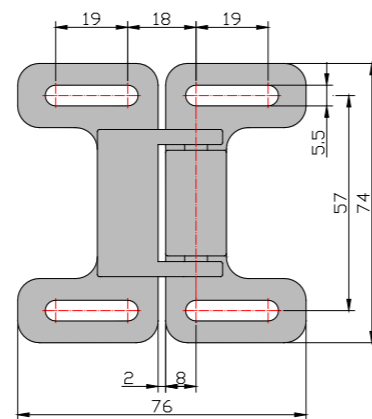
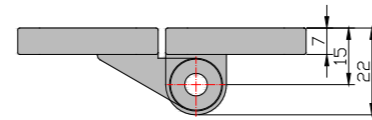
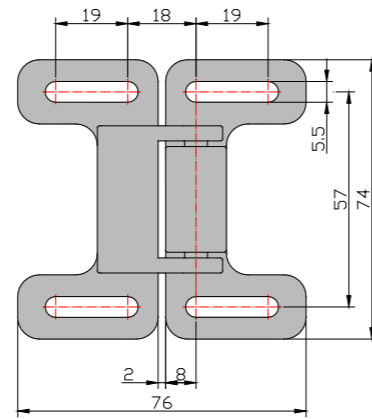
套件组件
Accessories of the set
弹簧螺母块
M5-G8 ×4
圆柱头内六角螺栓
M5*20 ×4
普通平垫 M5 ×4
Spring block
Hexagon socket button
head screws
M5*20 ×4
Washer M5 ×4

成套编号
Set Number **0040.10.74.76.S**

材料
Material 尼龙
PA

用途
Application 45×45 型材
45×45 Profile

套件组件
Accessories of the set
螺母块
M5-G10 ×4
圆柱头内六角螺栓
M5*20 ×4
普通平垫 M5 ×4
Sliding block
Hexagon socket button
head screws
M5*20 ×4
Washer M5 ×4



隐形整体合页 Overall Hinge



整体合页优点：
1. 强度高；
2. 框架与门之间无缝隙，更加美观。

Overall hinge advantages:
1. High strength;
2. No gap between the frame and the door, more beautiful.

订货编号
Part Number **0040.60.10.30.S**

材料
Material AL6063, 阳极氧化
AL6063, anodized

米重
Weight 0.59kg/m

最大长度
Maximum length 140 mm

*注：140mm*2组 / 套件销售

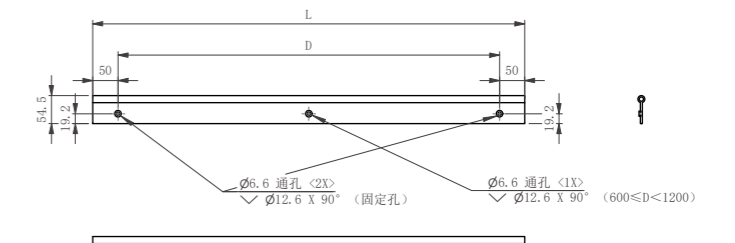
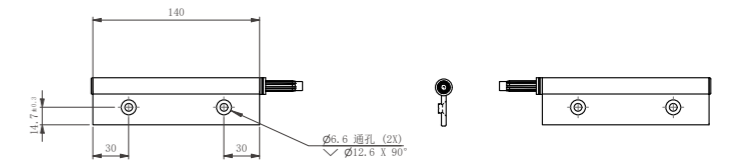
订货编号
Part Number **0040.60.10.45**

材料
Material AL6063, 阳极氧化
AL6063, anodized

米重
Weight 0.77kg/m

最大长度
Maximum length 6000 mm

*注：按照客户定制长度销售

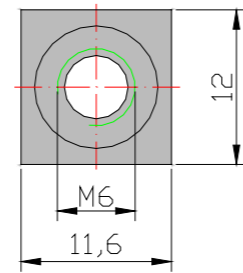


扣件 Straddling Nut

特点：
固定轻型附件，如扎线固定座。

Description:
Straddling nut for attaching light accessories such as cable fastener, etc.

订货编号 Part Number	0020.24.10.06
材料 Material	塑料 PA
用途 Application	M6

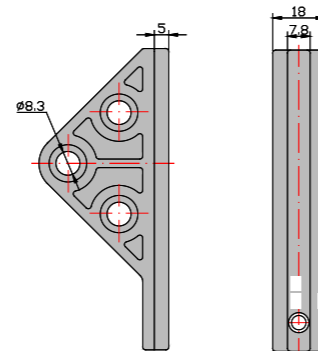


滑勾 Sliding Hook

特点：
滑勾在型材槽中滑动，是工位增加动力工具的理想零件，如悬挂气动工具。

Description:
This sliding hock freely slides in the groove of the profile and is ideal to add Air tool to a workstation of head hanging.

订货编号 Part Number	0020.28.10.01
材料 Material	塑料 PA
用途 Application	45 & 60 系列型材 45 & 60 Profile Series



移门型材 Sliding Door Profile

描述：
移门型材为连接各类部件提供一种便捷的方法。它可嵌入木板、有机玻璃板之类的板块。

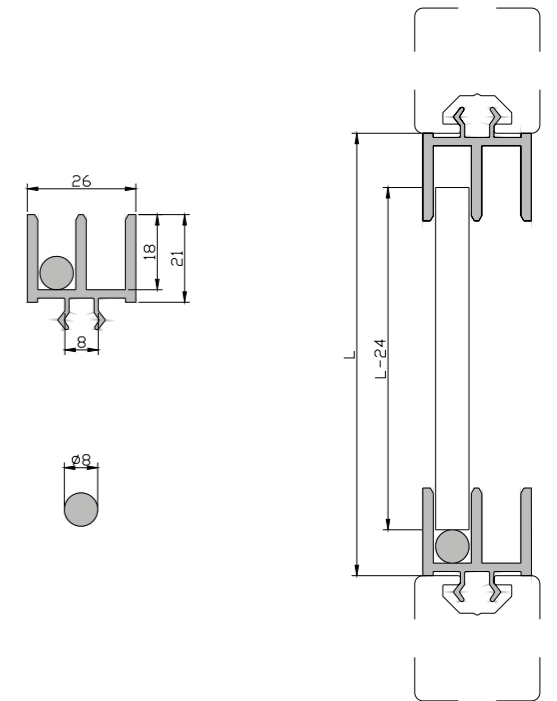
Description:
Sliding door profiles offer a convenient solution to implement various components. When inserted into the profile groove, the sliding door profile holds and supports components such as panels, glass plates etc.

适用于 30 & 40 系列型材 Application for 30 & 40 Profile Series

订货编号 Part Number	0050.11.08.02
型材槽口 Groove	槽宽 8 G 8
材料 Material	聚乙烯 PE
颜色 Color	黑色 Black
最大长度 Maximum length	3000 mm

尼龙棒 Nylon rod

订货编号 Part Number	0050.11.08.00
型材槽口 Groove	槽宽 8 G 8
材料 Material	尼龙 Nylon
颜色 Color	白色 White
最大长度 Maximum length	3000 mm

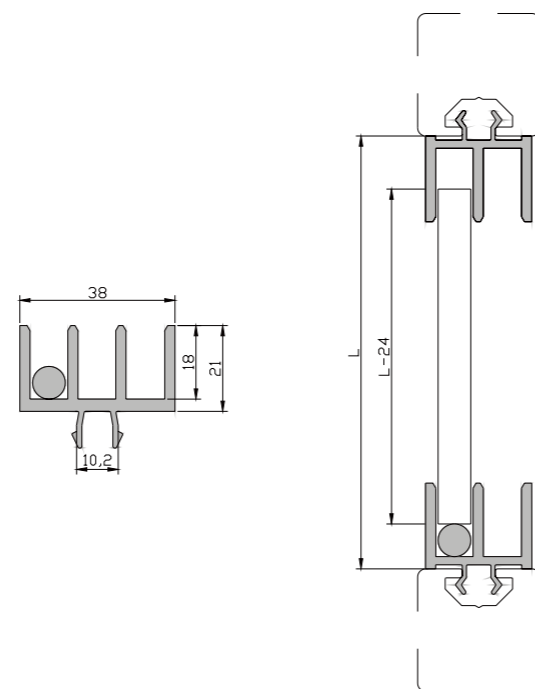


移门型材 Sliding Door Profile

适用于 45 & 60 系列型材

Application for 45 & 60 Profile Series

订货编号 Part Number	0010.22.10.03
型材槽口 Groove	槽宽 10 G 10
材料 Material	聚乙烯 PE
颜色 Color	黑色 Black
最大长度 Maximum length	3000 mm



嵌条 Insert Profile

描述:

将此塑料型材嵌入型材槽中，可以紧紧地插入 2-6mm 厚有机玻璃或其他材料板。

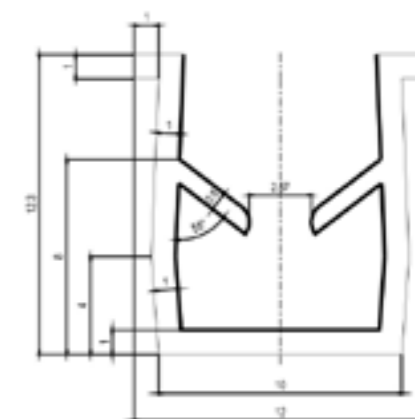
Description:

This plastic cover profile can be inserted in to the profile groove to seal 2-6mm glass or other material plates.

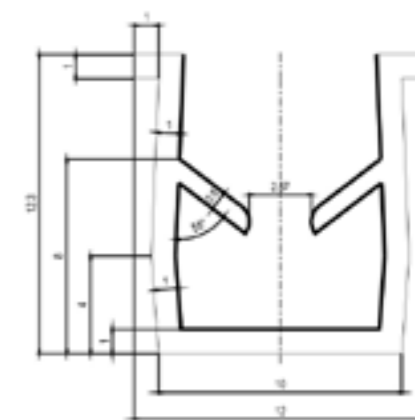
适用于 30 & 40 系列型材

Application for 30 & 40 Profile Series

订货编号 Part Number	0050.20.08.02
型材槽口 Groove	槽宽 8 G8
材料 Material	塑料 PVC
颜色 Color	黑色 Black
尺寸 Size	L=4~5mm
最大长度 Maximum length	2000mm



订货编号 Part Number	0050.20.08.04
型材槽口 Groove	槽宽 8 G8
材料 Material	塑料 PVC
颜色 Color	黑色 Black
尺寸 Size	L=3~4mm
最大长度 Maximum length	2000mm

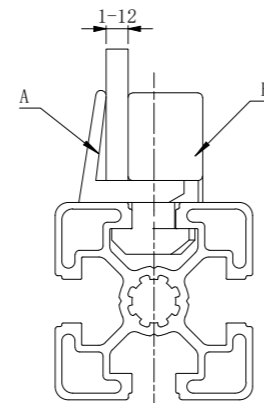
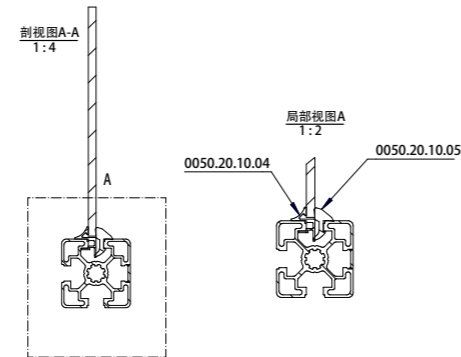
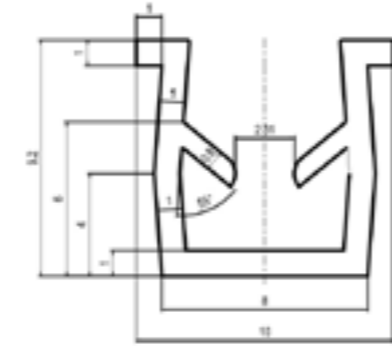


嵌条 Insert Profile

适用于 45 & 60 系列型材

Application for 45 & 60 Profile Series

订货编号 Part Number	0050.20.10.02
型材槽口 Groove	槽宽 10 G10
材料 Material	塑料 PVC
颜色 Color	黑色 Black
尺寸 Size	L=3~4mm
最大长度 Maximum length	2000mm
订货编号 Part Number	0050.20.10.04
材料 Material	橡胶 Rubber
最大长度 Maximum length	2000m/ 卷



板夹块 Clamp Block

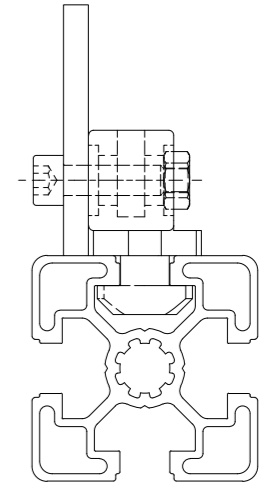
描述：
方便快捷地安装有机玻璃或其他板材，罩住型材框架，使设备美观安全。

Description:
For convenience to fix glass or any material plate to cover the frame.

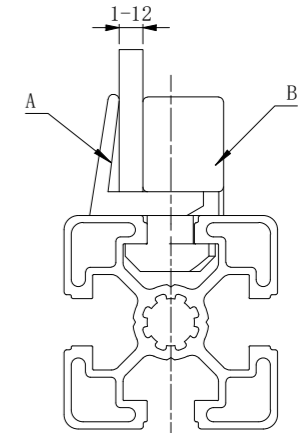
成套编号 Set Number	0050.20.30.30.S
材料 Material	聚乙烯 PE
用途 Application	专配 30 系列型材 For 30 Series Profile
套件组件 Accessories of the set	A + B

板夹块 Clamp Block

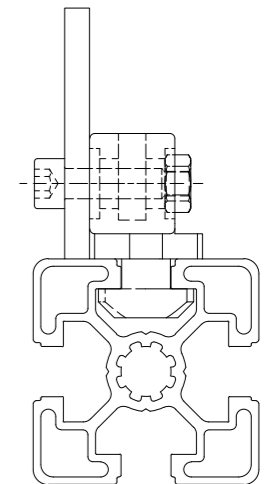
成套编号 Set Number	0050.20.30.31.S
材料 Material	聚乙烯 PE
用途 Application	专配 30 系列型材 For 30 Series Profile
可选套件 Optional accessories of set	内六角盘头螺丝 M6*20 ×1 六角螺母 M6 ×1 B: 0050.20.08.31 ×1 Allen pan head screw M6*20 ×1 Hex nut M6 ×1 B: 0050.20.08.31 ×1



成套编号 Set Number	0050.20.45.45.S
材料 Material	聚乙烯 PE
用途 Application	专配 45 系列型材 For 45 Series Profile
可选套件 Optional accessories of set	A + B



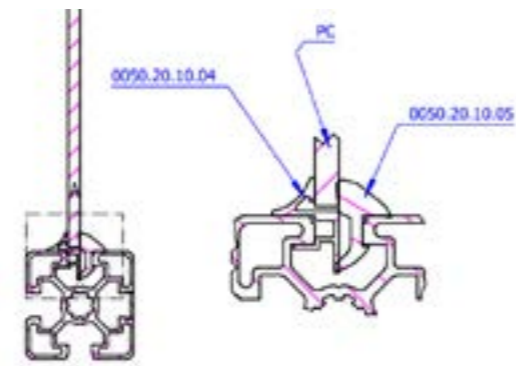
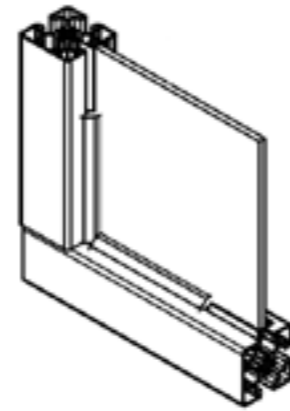
成套编号 Set Number	0050.20.45.46.S
材料 Material	聚乙烯 PE
用途 Application	专配 45 系列型材 For 45 Series Profile
可选套件 Optional accessories of set	内六角盘头螺丝 M6*20 ×1 六角螺母 M6 ×1 B: 0050.20.10.46 ×1 Allen pan head screw M6*20 ×1 Hex nut M6 ×1 B: 0050.20.10.46 ×1



新款有机玻璃安装方式 New Insert Brofile

为 45 型材提供全新的有机玻璃板安装方式比传统安装更简单省力，提高效率，并外观美观。

A new plexiglass panel installation method for 45 profiles is simpler than traditional installation, saves effort, improves efficiency, and has a beautiful appearance.



订货编号 Part Number	0050.20.10.05
材料 Material	AL6063, 阳极氧化 AL6063, anodized
最大长度 Maximum length	4000 mm

* 注：仅适用于槽 10 型材 Only for G10

订货编号 Part Number	0050.20.10.04
材料 Material	橡胶 Rubber
最大长度 Maximum length	50m/ 卷

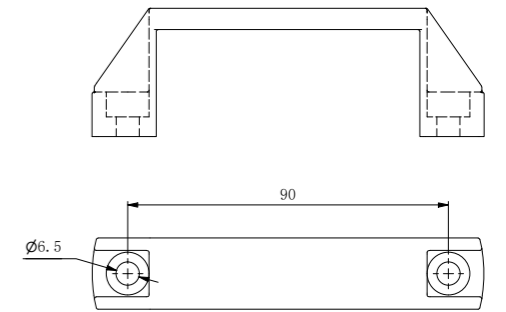
手柄 Handles

特点：
将手柄安装在型材上，可便于开启与提携，连接螺栓与 T 型螺母块需另配。

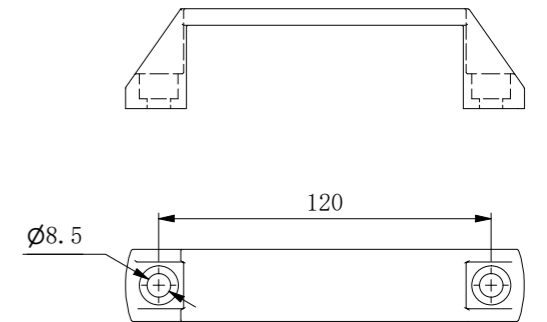
Description:
The handle is installed on the profile to facilitate opening and carrying. The connecting bolt and T-nut block need to be equipped separately.



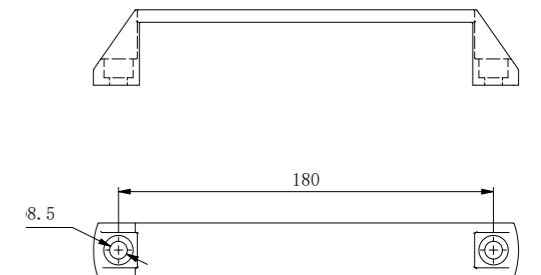
订购编号 Part Number	0080.02.06.09
材料 Material	铝合金 Al-Alloy
颜色 Color	黑色 Black
尺寸 Size	D= 6.5 L=90 mm



订购编号 Part Number	0080.02.08.12
材料 Material	铝合金 Al-Alloy
颜色 Color	黑色 Black
尺寸 Size	D= 8.5 L=120 mm



订购编号 Part Number	0080.02.08.18
材料 Material	铝合金 Al-Alloy
颜色 Color	黑色 Black
尺寸 Size	D= 8.5 L=180 mm



可调手柄 Adjustable Handles

特点：
可调手柄用于锁住零件达到定位的目的。有不同的直径和长度的产品可供选择。

Description:
Adjustable handles enable the user to lock elements in certain spots / angles. Different diameter and lengths are available.

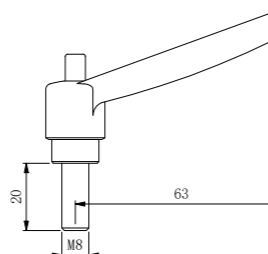
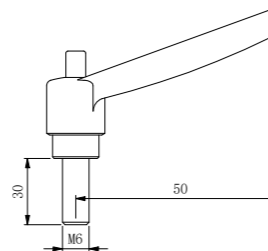
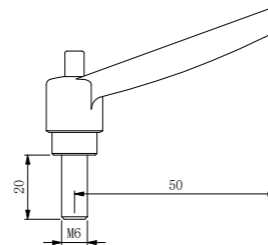
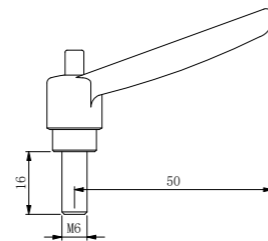
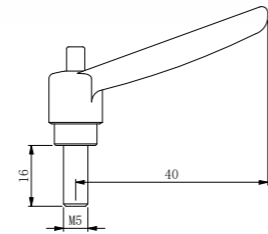
订购编号 Part Number	0080.01.05.16
材料 Material	碳钢, 黑色 Carbon steel Black
尺寸 Size	M×L1 = 5×16 mm L2=40 mm

订购编号 Part Number	0080.01.06.16
材料 Material	碳钢, 黑色 Carbon steel Black
尺寸 Size	M×L1 = 6×16 mm L2=50 mm

订购编号 Part Number	0080.01.06.20
材料 Material	碳钢, 黑色 Carbon steel Black
尺寸 Size	M×L1 = 6×20 mm L2=50 mm

Part Number 订购编号	0080.01.06.30
材料 Material	碳钢, 黑色 Carbon steel Black
尺寸 Size	M×L1 = 6×30 mm L2=50 mm

订购编号 Part Number	0080.01.08.20
材料 Material	碳钢, 黑色 Carbon steel Black
尺寸 Size	M×L1 = 8×20 mm L2=63 mm



拉手 Handle

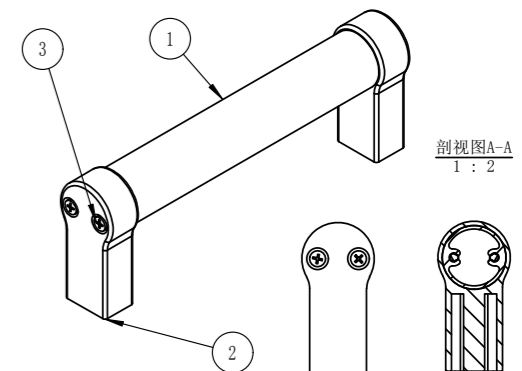
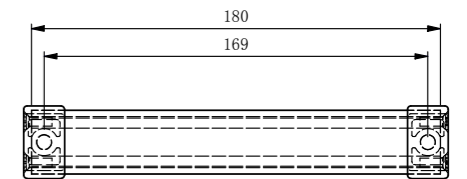
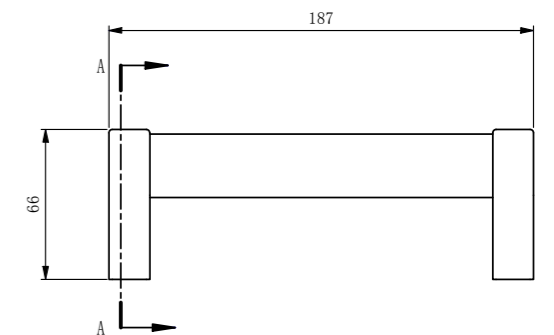
拉手有 2 款，均由把手连接件及把手圆管型材组成。把手圆管型材可以根据需求切割长度以满足不同间距的使用。

There are two types of handles, which are composed of handle connector and handle tube profile. Handle tube profiles can be cut to different lengths according to requirements to meet the use of different spacing.



把手 01 款

订货编号 Part Number	0080.04.08.18.S
尺寸 Size	180mm

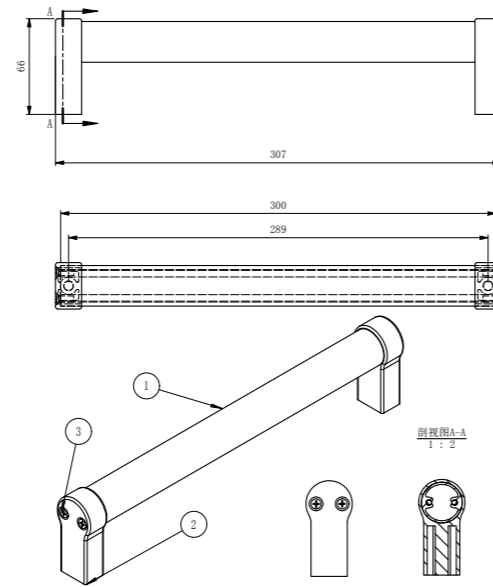


订货编号
Part Number

0080.04.08.30.S

尺寸
Size

300mm

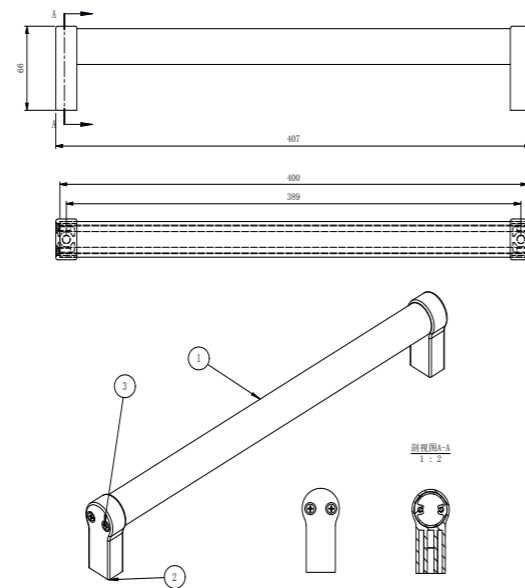


订货编号
Part Number

0080.04.08.40.S

尺寸
Size

400mm



拉手 Handle **NEW**

拉手有 2 款，均由把手连接件及把手圆管型材组成。把手圆管型材可以根据需求切割长度以满足不同间距的使用。

There are two types of handles, which are composed of handle connector and handle tube profile. Handle tube profiles can be cut to different lengths according to requirements to meet the use of different spacing.

订货编号
Part Number

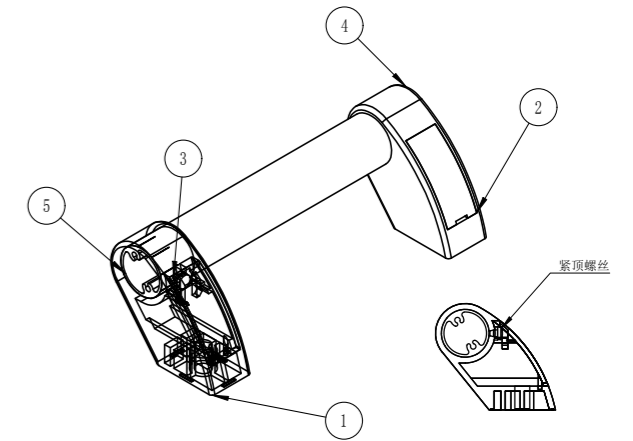
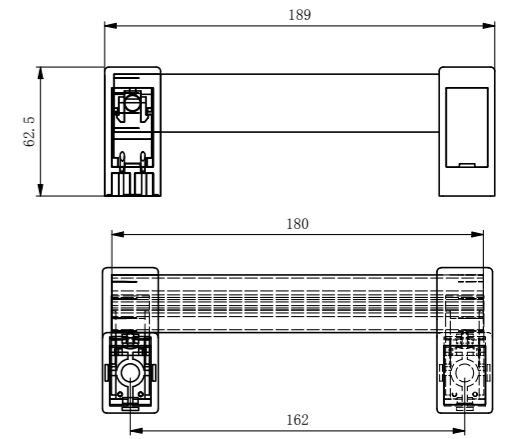
0080.03.08.18.S

尺寸
Size

180mm



把手 02 款

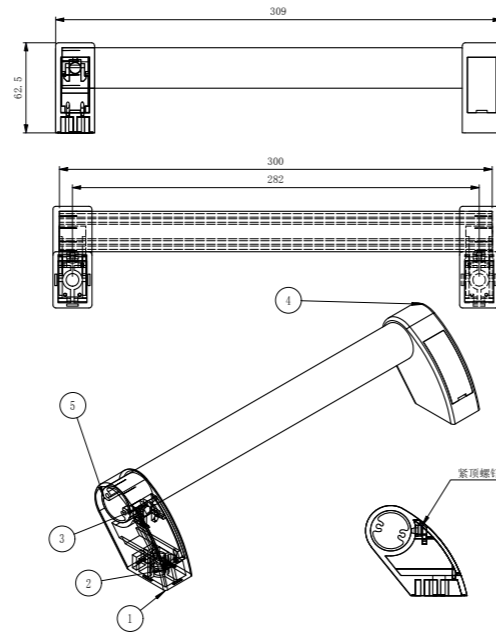


订货编号
Part Number

0080.03.08.30.S

尺寸
Size

300mm

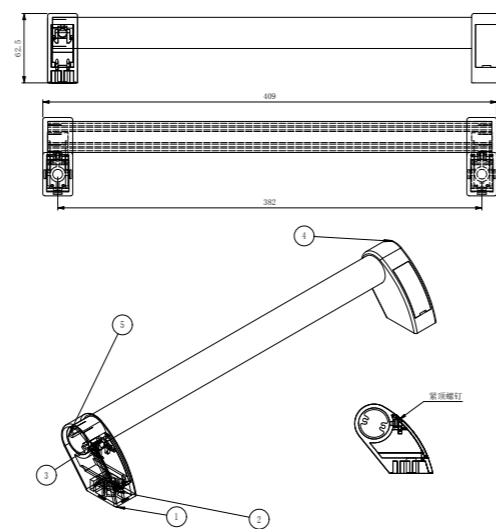


订货编号
Part Number

0080.03.08.40.S

尺寸
Size

400mm



地脚件 Foot Plate

特点：
此地脚件能很容易地与地面连接，并固定在地面上。

Description:
Special designed foot plate is used for easier connecting and fixed on the ground.



成套编号
Set Number

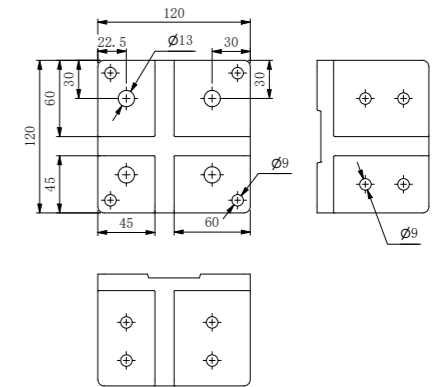
0060.50.12.12.S

材料
Material

锌铝合金
Zn-Al Alloy

用途
Application

用于槽 10
For Groove 10



成套编号
Set Number

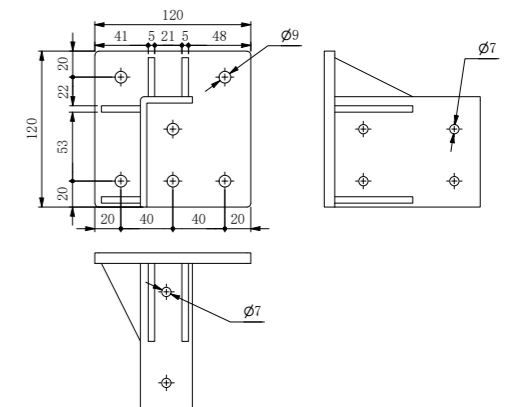
0060.50.12.13.S

材料
Material

锌铝合金
Zn-Al Alloy

用途
Application

用于槽 8
For Groove 8



成套编号
Set Number

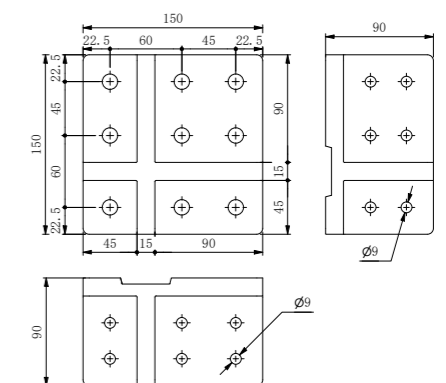
0060.50.15.15.S

材料
Material

锌铝合金
Zn-Al Alloy

用途
Application

用于槽 10
For Groove 10



地板连接件 Floor Bracket

特点：
固定支架于地面。地脚连接件有左右两款 / There are two types of Floor Bracket.

Description:

Floor bracket is used to fix constructions to the floor. A hole for the floor dowel can be made without removing the foundation bracket.

成套编号
Set Number L 款: 0060.30.08.01.S
R 款: 0060.30.08.02.S

材料
Material 烤漆铁板
Blacken paint steel

用途
Application 40 系列型材
40 Profile Series

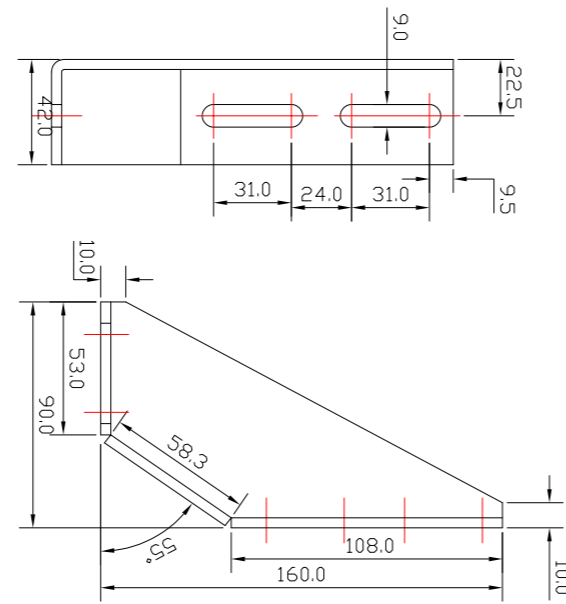
套件组件
Accessories of the set
弹簧螺母块
M8-G8 ×2
圆柱头内六角螺栓
M8*16 ×2
普通平垫 M8 ×2
膨胀螺栓
M8*100 ×1
Spring block
M8-G8 ×2
Hexagon socket button
head screws
M8*16 ×2
Washer M8 ×2
Expansion bolt
M8*100 ×1

成套编号
Set Number 0060.30.10.01.S

材料
Material 烤漆铁板
Blacken paint steel

用途
Application 45 系列型材
45 Profile Series

套件组件
Accessories of the set
T 型螺栓
M8*25 ×2
法兰螺母
M8-G10×2
膨胀螺栓
M8*100 ×1
Hammer head screw
M8*25 ×2
Flange nut
M8-G10×2
Expansion bolt
M8*100 ×1



*L: 0060.30.XX.01
R: 0060.30.XX.02

地脚 Feet

描述：
地脚可调整高度并能左右调整以适应地面不平，能固定在型材端面的孔或型材槽中。

Description:

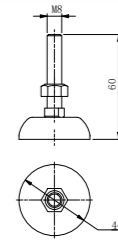
Feet are adjustable floor elements for machinery frames to compensate irregularities in the floor. Feet can be fixed in the core hole or through the profile groove.



订购编号
Part Number 0060.10.08.44

材料
Material 碳钢，表面镀锌
Zinc coated steel

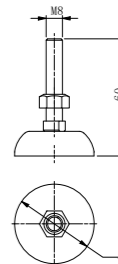
尺寸
Size M = 8 mm
L = 60 mm
D = 44 mm



订购编号
Part Number 0060.10.08.58

材料
Material 碳钢，表面镀锌
Zinc coated steel

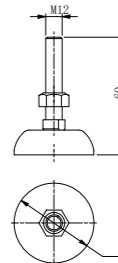
尺寸
Size M = 8 mm
L = 60 mm
D = 58 mm



订购编号
Part Number 0060.10.12.44

材料
Material 碳钢，表面镀锌
Zinc coated steel

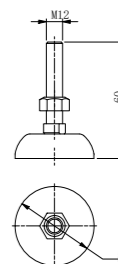
尺寸
Size M = 12 mm
L = 60 mm
D = 44 mm



订购编号
Part Number 0060.10.12.58

材料
Material 碳钢，表面镀锌
Zinc coated steel

尺寸
Size M = 12 mm
L = 60 mm
D = 58 mm



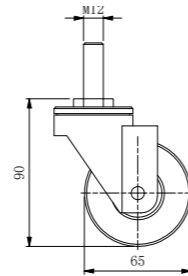
脚轮 Wheel

描述：
脚轮能用在推车或机器的框架上。不同直径、承载范围及带刹车的脚轮可供选择。

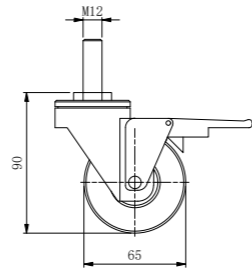
Description:
Feet are adjustable floor elements for machinery frames to compensate irregularities in the floor. Feet can be fixed in the core hole or through the profile groove.



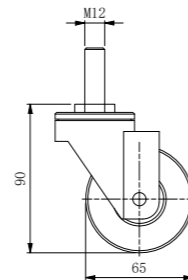
订购编号 Part Number	0060.20.65.01
尺寸 Size	H=90mm D=65mm
描述： Description:	普通不带刹车 Normal without brake



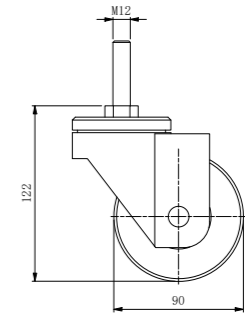
订购编号 Part Number	0060.20.65.02
尺寸 Size	H=90mm D=65mm
描述： Description:	普通带刹车 Normal with brake



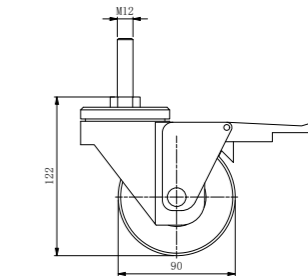
订购编号 Part Number	0060.20.65.11
尺寸 Size	H=90mm D=65mm
描述： Description:	防静电不带刹车 ESD without brake



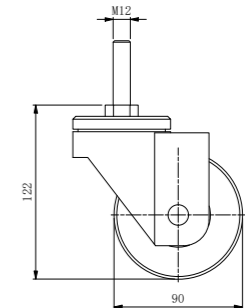
订购编号 Part Number	0060.20.90.01
尺寸 Size	H=122mm D=90mm
描述： Description:	普通不带刹车 Normal without brake



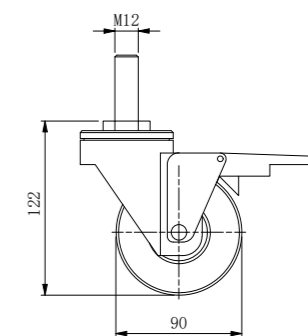
订购编号 Part Number	0060.20.90.02
尺寸 Size	H=122mm D=90mm
描述： Description:	普通带刹车 Normal with brake



订购编号 Part Number	0060.20.90.11
尺寸 Size	H=122mm D=90mm
描述： Description:	防静电不带刹车 ESD without brake



订购编号 Part Number	0060.20.90.12
尺寸 Size	H=122mm D=90mm
描述： Description:	防静电带刹车 ESD with brake



C 型导轨 C Guide

C 型导轨由 C 型导轨型材及 C 型导轨滑块组组成

The C Guide is composed of C Rail profile and C Profile Glider Set

C 型导轨滑块组 C profile glider set

特点：

C 型导轨适合于轻载滑行，主要用于移动门、轻型移栽。

Description:

The C guide is used for sliding doors and movable supports or protective elements.

订货编号 Part Number	0070.10.00.03.S
材料 Material	铝合金 / 塑料 aluminum/plastic
型材槽口 Groove	槽宽 8 G8
最大长度 Maximum length	120 mm
用途 Application	专配 C 型导轨型材 For C Rail profile C 滑动型材 C slide profile\
套件组件 Accessories of the set	轮子 Wheel 型材端盖 Cap for slide profile

C 导轨型材 C Rail profile

特点：

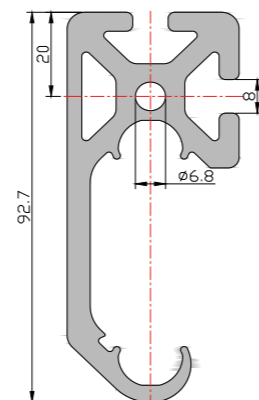
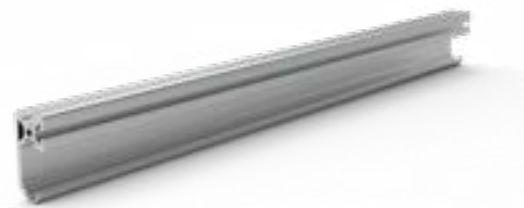
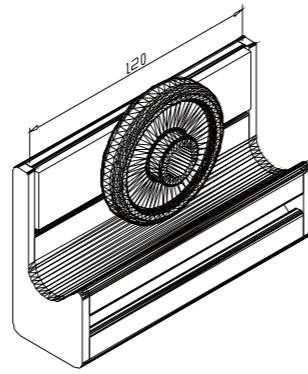
C 型导轨用于滑轮导向，可加刚轴增强导向性和承载力。

Description:

C rail, used for roller grindet guidance guidance with or with out guidance shaft.

F1=250N, F2=750N

订货编号 Part Number	0010.70.40.93
材料 Material	铝合金 aluminum
型材槽口 Groove	槽宽 8 G8
最大长度 Maximum length	6000 mm



无影灯 Lamp

型号	功率	安装孔中心距	安装快宽	腰孔尺寸	灯体长	灯体宽	灯体厚	三芯电源线长	两端灯体座宽	滤光网孔尺寸	灯具类型	流明 (Lm)	照度 (Lx)	光照点 (m)
YG141-A	2×36w	955	40	∅ 10×20	895	130	70	3M	35	□ 20	4PL-L	5800	1100	1
YG141-B	1×36W	545	40	∅ 10×20	485	130	70	3M	35	□ 20	4PL-L	2900	650	1
电源线放向	左、右两种													
灯体材料	铝合金塑料													

一、技术参数 technique parameter :

执行标准号：GB7000.1-2007、GB7000.201-2008

carry out standard number GB7000.1-2007、GB7000.201-2008

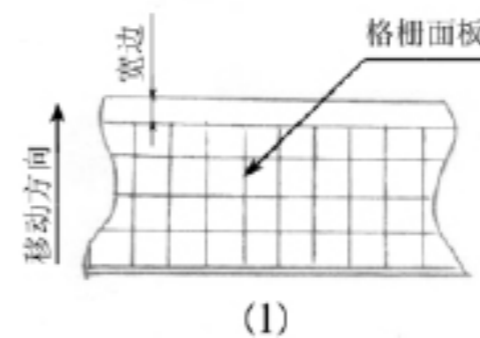
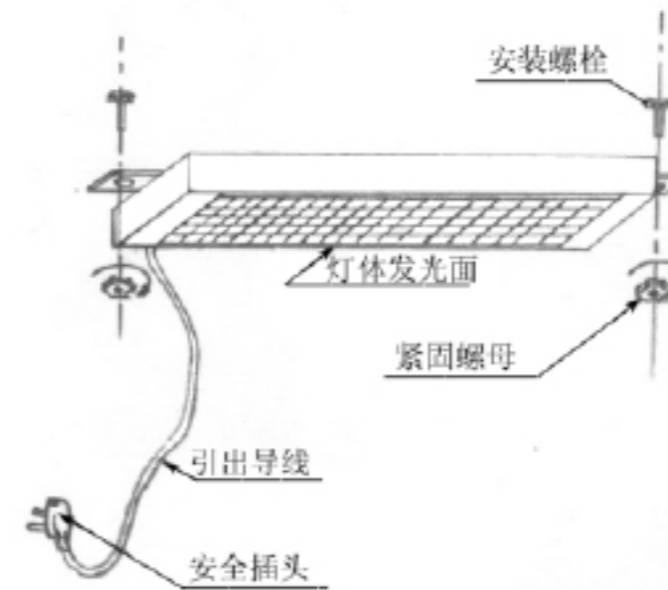
额定电压：AC220V±10%

the sum settle electric voltage AC220V±10%

额定频率：50Hz

the sum settles frequency 50Hz

二、YG141- 荧光灯安装使用说明 YG141-The work light installs usage elucidation

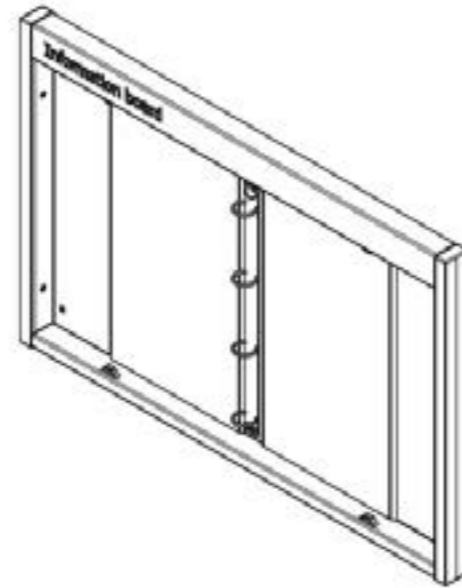
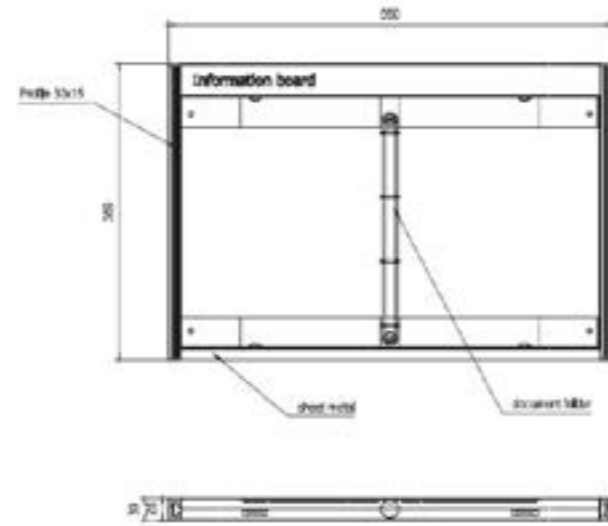


- 1、将安装螺栓嵌入工作台上灯具架指定位置。
Imbedding gearing stud bolt the work on the stage lamp specifies position.
- 2、用螺母将灯具固定。
Use to nail to fix lamp.
- 3、灯体发光面离工作台面距离 < 1.3m。
The light body gives out light noodles to leave a work pedestal noodles to be apart from a < 1.3M.
以保证工作台面的照度。
Shine on a degree by assurance work pedestal noodles.
- 4 将格栅面板如图示 (1) 移动即可取下面板，安装好 (可检修) 灯内光源 (电器)。
Space grid front-panel if diagram' s showing (1) ambulation can immediately dismantle front-panel, installing like (can check to fix) light source (electric appliances) inside the light.
- 5、接通电源检验。
Connect a power supply examination.
- 6、一般故障排除。
灯具不正常发光，可能灯管或启辉器松动，切断电源，取下格栅面板，将灯管插到或启辉器拧到到即可。
The light failure may be caused by the looseness of tube or starter. In this case, the power should be switched off, the grating panel be removed and tube or starter be in place.

信息板 Information Board

订货编号 **0101-01-06-00/S**
Part Number

信息板内，附两张 A4 内页袋
Information board, with two A4 inside bags



Part Number	Description	Page No.	Part Number	Description	Page No.
0010.05.20.10	Profile 5 - 20x10	9	0010.28.45.05	Plate 45x5	31
0010.05.20.20	Profile 5 - 20x20	9	0010.28.10.08	Plate 100x8	31
0010.05.20.40	Profile 5 - 20x40	10	0010.24.45.20	Pneumatic profile 45x20	32
0010.05.20.80	Profile 5 - 20x80	10	0010.24.40.40	Pneumatic profile 40x40	32
0010.08.30.15	Profile 8 - 30x15	11	0010.50.30.30	Protective grille profile 8 - 30 x 30	33
0010.08.30.30	Profile 8 - 30x30	11	0010.08.40.43	Profile 40x40H	34
0010.08.30.32	Profile 8 - 30x30	12	0010.50.30.45	Protective grille profile 8 - 30 x 45	34
0010.08.30.46	Profile 8 - 30x46	12	0010.22.08.01	Aluminum cover strip 8	36
0010.08.30.45	Profile 8 - 30x45	13	0010.22.08.02	Aluminum cover strip 8	36
0010.08.30.60	Profile 8 - 30x60	13	0011.22.08.01	Aluminum cover strip 8	36
0010.08.40.16	Profile 8 - 40x16 Heavy	14	0011.22.08.03	Aluminum cover strip 8	36
0010.08.40.40	Profile 8 - 40x40 Heavy	14	0011.22.08.04	Aluminum cover strip 8	36
0010.08.40.41	Profile 8 - 40x40	15	0010.22.10.01	Aluminum cover strip 10	36
0010.08.40.42	Profile 8 - 40x40 Economy	15	0011.22.10.01	Aluminum cover strip 10	36
0010.08.40.80	Profile 8 - 40x80 Heavy	16	0011.22.10.02	Aluminum cover strip 10	36
0010.08.40.81	Profile 8 - 40x80	16	0011.22.10.05	Aluminum cover strip 10	36
0010.08.40.82	Profile 8 - 40x80 Economy	17	0011.22.10.06	Aluminum cover strip 10	36
0010.08.80.16	Profile 8 - 80x16 Heavy	17	0015.05.20.20	Cover cap 20 x 20	37
0010.08.80.80	Profile 8 - 80x80 Heavy	18	0015.05.30.15	Cover cap 30 x 15	37
0010.08.80.81	Profile 8 - 80x80	18	0015.08.30.30	Cover cap 30 x 30	37
0010.10.45.23	Profile 10 - 45x22.5	19	0015.08.30.31	Cover cap 30 x 30 Radius	38
0010.10.45.45	Profile 10 - 45x45 Heavy	19	0015.08.30.45	Cover cap 30 x 45	38
0010.10.45.46	Profile 10 - 45x45	20	0010.08.40.16	Cover cap 40 x 16	38
0010.10.45.48	Profile 10 - 45x45LR	20	0015.08.40.40	Cover cap 40 x 40	38
0010.10.45.49	Profile 10 - 45x45LN	21	0015.08.40.80	Cover cap 40 x 80	39
0010.10.45.50	Profile 10 - 45x45L2N	21	0015.08.80.80	Cover cap 80 x 80	39
0010.10.45.60	Profile 10 - 45x60 Heavy	22	0015.10.45.23	Cover cap 45 x 22.5	39
0010.10.45.90	Profile 10 - 45x90 Heavy	22	0015.10.45.45	Cover cap 45 x 45	39
0010.10.45.91	Profile 10 - 45x90	23	0015.10.45.47	Cover cap 45 x 45R	40
0010.10.45.92	Profile 10 - 45x90L2N	23	0015.10.45.60	Cover cap 45 x 60	40
0010.10.90.90	Profile 10 - 90x90 Heavy	24	0015.10.60.60	Cover cap 60 x 60	40
0010.10.90.91	Profile 10 - 90x90 20	24	0015.08.40.80.S	Conduit cap 40 x 80	41
0010.10.90.92	Profile 10 - 90x90L2N	25	0015.08.80.80.S	Conduit cap 80 x 80	41
0010.10.18.91	Profile 10 - 180x90L	25	0015.08.18.90.S	Conduit cap 180 x 90	41
0010.10.60.60	Profile 10 - 60x60 Heavy	26	0020.10.08.04	Hammer head nut 8 - M4	42
0010.10.60.61	Profile 10 - 60x60	26	0020.10.08.05	Hammer head nut 8 - M5	42
0010.10.60.90	Profile 10 - 60x90 Heavy	27	0020.10.08.06	Hammer head nut 8 - M6	42
0010.30.80.41.S	Conduit profile 80 x 40 set	28	0020.10.10.04	Hammer head nut 10 - M4	43
0010.30.80.81.S	Conduit profile 80 x 80 set	28	0020.10.10.05	Hammer head nut 10 - M5	43
0010.30.45.45.S	Lid profile set 45x45	29	0020.10.10.06	Hammer head nut 10 - M6	43
0010.30.90.45.S	Lid profile set 90x45	29	0020.10.10.08	Hammer head nut 10 - M8	43
0010.30.90.90.S	Lid profile set 90x90	29	0020.20.08.04	Sliding block 8 - M4	44
0010.30.18.90.S	Lid profile set 180x90	30	0020.20.08.05	Sliding block 8 - M5	44
0010.30.18.91.S	U-Shape profile set 180x90	30	0020.20.08.06	Sliding block 8 - M6	44
0010.30.12.90.S	Lid profile set 120x90	30	0020.20.10.05	Sliding block 10 - M5	45
0010.26.20.30	Angle profile 20x30x3	31	0020.20.10.06	Sliding block 10 - M6	45
0010.26.40.40	Angle profile 40x40x4	31	0020.20.10.08	Sliding block 10 - M8	45
0010.26.10.10	Angle profile 100x100x3	31	0020.21.10.01	Sliding block clip 10	46
0010.28.28.05	Plate 28x5	31	0020.21.10.02	Sliding block clip 10	46
0010.28.40.06	Plate 40x6	31	0020.30.05.03	Spring block 5 - M3	47

Part Number	Description	Page No.	Part Number	Description	Page No.
0020.30.05.04	Spring block 5 - M4	47	0026.08.30.30	Corner bracket 30 - Round	63
0020.30.05.05	Spring block 5 - M5	47	0015.26.30.30	Cap for corner bracket 30 - Round	63
0020.30.08.04	Spring block 8 - M4	48	0026.10.45.45.S	3 Way corner bracket set 45 Round	63
0020.30.08.05	Spring block 8 - M5	48	0026.10.45.45	Corner bracket 45 - Round	63
0020.30.08.06	Spring block 8 - M6	48	0015.26.45.45	Cap for corner bracket 45 - Round	63
0020.30.08.08	Spring block 8 - M8	48	0020.27.60.60	Miter bracket	64
0020.12.08.12	Hammer head screw 8 - M6x12	49	0028.08.40.80.S	Flat plate 40	65
0020.12.08.16	Hammer head screw 8 - M6x16	49	0028.08.45.80.S	Flat plate 45	65
0020.12.08.20	Hammer head screw 8 - M6x20	50	0020.22.08.06.S	Sliding profile connector 8 - M6	66
0020.12.08.25	Hammer head screw 8 - M6x25	50	0020.22.10.08.S	Sliding profile connector 10 - M8	66
0020.12.10.20	Hammer head screw 10 - M8x20	50	0020.48.08.01.S	Big end connector 8	67
0020.12.10.25	Hammer head screw 10 - M8x25	50	0020.48.10.01.S	Big end connector 10	67
0020.14.08.06	Flange nut 8 - M6	51	0020.50.08.11.S	Plate connector 8	68
0020.14.10.08	Flange nut 10 - M8	51	0020.50.08.12.S	Plate connector 8	68
0020.42.08.25	Core screw M8x25	52	0020.50.08.13.S	Plate connector 8	68
0020.42.12.30	Core screw M12x30	52	0020.50.08.01.S	Adjustable plate connector 8 S	69
0020.46.05.05	Core chip G5	53	0020.50.10.01.S	Adjustable plate connector 10 F	69
0020.46.05.05.S	Core chip set G5	53	0020.26.08.01.S	Sliding in-out profile connector 8 - 30	70
0020.46.08.08	Core chip G8	53	0020.26.08.02.S	Sliding inside profile connector 8 - 30	70
0020.46.08.08.S	Core chip set G8	53	0020.26.10.02	Sliding inside profile connector 10 - 45	70
0020.50.50.60.S	Suspension bracket	54	0030.08.30.30	Pivot joint 30-6	71
0020.40.10.00	Angle profile connector	54	0030.08.40.40	Pivot joint 40-8	71
0020.44.05.07.S	Groove screw connector 5	55	0030.10.45.45	Pivot joint 45-12.5	71
0020.44.08.11.S	Groove screw connector 8	55	0040.08.30.30.S	Hinge set 30 x 30 Heavy duty	72
0020.44.10.12.S	Groove screw connector 8	56	0040.08.30.45.S	Plastic combi hinge set 30 x 45 Heavy duty	72
0020.44.10.12.S	Groove screw connector 8	56	0040.08.40.41.S	Plastic combi hinge set 40 x 40 ND	73
0020.44.08.14.S	Groove screw connector 8	56	0040.08.40.42.S	Plastic combi hinge set 40 x 40 DLeft	73
0025.08.28.38	Gusset 8 - 2838	57	0040.08.40.45.S	Plastic combi hinge set 40 x 45 ND	74
0025.08.28.38.S	Gusset set 8 - 2838	57	0040.50.40.80.S	Universal hinge	75
0025.08.28.57	Gusset 8 - 2857	58	0040.50.45.80.S	Universal hinge	75
0025.08.28.57.S	Gusset set 8 - 2857	58	0040.08.74.76.S	Ball catch hinge 8	76
0025.08.38.43	Gusset 8 - 3843	58	0040.10.74.76.S	Ball catch hinge 10	76
0025.08.38.43.S	Gusset set 8 - 3843	58	0040.60.10.30.S	Overall hinge	77
0025.08.38.88	Gusset 8 - 3888	59	0040.60.10.45	Overall hinge	77
0025.08.38.88.S	Gusset set 8 - 3888	59	0020.24.10.06	Plastic nut 10 - M6	78
0025.10.38.43	Gusset 10 - 3843	59	0020.28.10.01	Sliding tool hanger	78
0025.10.38.43.S	Gusset set 10 - 3843	59	0050.11.08.02	Sliding door profile 40 Top	79
0025.10.38.88	Gusset 10 - 3888	60	0050.11.08.00	Insert profile 8 - 6	79
0025.10.38.88.S	Gusset set 10 - 3888	60	0010.22.10.03	Sliding door profile	80
0025.10.43.41	Gusset 10 - 4341	60	0050.20.08.02	Insert profile 8	81
0025.10.43.41.S	Gusset set 10 - 4341	60	0050.20.08.04	Insert profile 8	81
0025.10.43.86	Gusset 10 - 4386	61	0050.20.10.02	Plug-in profile 10	82
0025.10.43.86.S	Gusset set 10 - 4386	61	0050.20.10.04	Plug-in profile 10	82
0025.10.88.86	Gusset 10 - 8886	61	0050.20.30.30.S	Clamping block 8 - 30	82
0025.10.88.86.S	Gusset set 10 - 8886	61	0050.20.30.31.S	Clamp block	83
0020.55.45.45	End plate connector T style	62	0050.20.45.45.S	Clamp block	83
0020.55.45.45.S	End plate connector T style	62	0050.20.45.46.S	Clamp block	83
0020.55.45.46	End plate connector End style	62	0050.20.10.05	New insert brofile	84
0020.55.45.46.S	End plate connector End style	62	0050.20.10.04	New insert brofile	84
0026.08.30.30.S	3 Way corner bracket set 30 Round	63	0080.02.06.09	Heavy duty handle 90	85

Part Number	Description	Page No.
0080.02.08.12	Heavy duty handle 120	85
0080.02.08.18	Heavy duty handle 180	85
0080.01.05.16	Adjustable handles M5x16x50	86
0080.01.06.16	Adjustable handles M6x16x50	86
0080.01.06.20	Adjustable handles M6x20x50	86
0080.01.06.30	Adjustable handles M6x30x50	86
0080.01.08.20	Adjustable handles M8x20x63	86
0080.04.08.18.S	Handle 180mm	87
0080.04.08.30.S	Handle 300mm	88
0080.04.08.40.S	Handle 400mm	88
0080.03.08.18.S	Handle 180mm	89
0080.03.08.30.S	Handle 300mm	90
0080.03.08.40.S	Handle 400mm	90
0060.50.12.12.S	Multi usage footplate set 120x120	91
0060.50.12.13.S	Multi usage footplate set 120x130	91
0060.50.15.15.S	Multi usage footplate set 150x150	91
0060.30.08.01.S	Floor bracket L	92
0060.30.08.02.S	Floor bracket R	92
0060.30.10.01.S	Support bracket set	92
0060.10.08.44	ECO feet steel 44 - M8x60	93
0060.10.08.58	ECO feet steel M 8 - B	93
0060.10.12.44	ECO feet steel M 12 - B 44	93
0060.10.12.58	ECO feet steel M 12 - B 58	93
0060.20.65.01	Wheel 104	94
0060.20.65.11	Wheel 134	94
0060.20.65.02	Wheel 104 with brake	94
0060.20.90.02	Wheel 159 with brake	94
0060.20.90.01	Wheel D90	95
0060.20.90.12	Wheel	95
0060.20.90.11	Wheel	95
0070.10.00.03	C guide single roller unit 1MD	96
0010.70.40.93	C rali profile	96
11030YG141.A.L	Lamp L	97
11030YG141.A.R	Lamp R	97
11030YG141.B.L	Lamp L	97
11030YG141.B.R	Lamp R	97
0101-01-06-00/S	Information board	98

